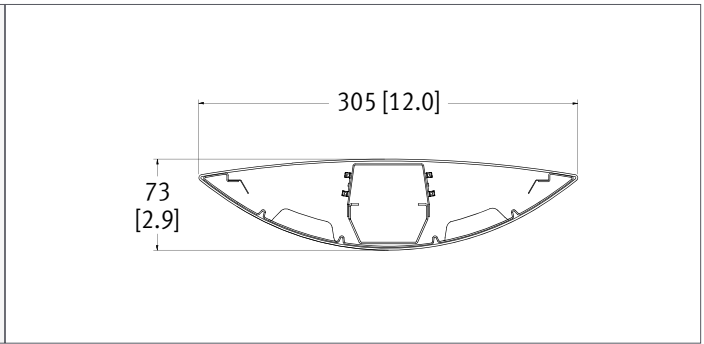


# HORIZON II O5K

LED . DIRECT / INDIRECT



PART #:	
PREP BY:	DATE:
PROJECT:	QTY:
NOTES:	
APPROVAL SIGNATURE:	DATE (DD/MM/YYYY):



## ORDERING LOGIC

Example Part Number: O5K-2L35K-4-PBO-W-L3-1-PA18-3

<b>O5K</b>				<b>PBO</b>							
1	2	3	4	5	6	7	8	9	10	11	12
<b>1. SERIES</b> O5K		<b>2. COLOR TEMP</b> 2L30K 3000K 2L35K 3500K 2L40K 4000K		<b>3. LENGTH</b> 4 4 ft 8 8 ft RA Continuous Rows Replace "A" with length in feet		<b>4. OPTICS UP</b> C Clear Dust Cover - Open Top (Leave space empty)		<b>5. OPTICS DOWN</b> PBO Perforated Cross Blade Baffle with Opal Overlay		<b>6. FINISH</b> W White C Custom Finish Specify RAL:	
<b>7. LIGHT LEVEL / DRIVER</b> L1 3079 lm L2 3924 lm L3 5621 lm L4 10775 lm		<b>8. CIRCUITRY</b> 1 1 Circuit EM Emergency/Night Light B Emergency Battery Pack		<b>9. MOUNTING</b> PAA Pendant Aircraft Cable PTA Pendant Aircraft Cable for T-bar SSA Solid Stem Replace "A" with length (inches) selected below. Select Hanger Length and Hanger Finish below		<b>10. VOLTAGE</b> 1 120V 2 277V 3 347V 4 UNV (120 - 277V)		<b>11. CONTROLS / SENSORS</b> D Daylight Sensor O Occupancy Sensor DO Daylight/Occupancy Sensor - None (leave space empty)			

- Select Driver:
- Factory option 0-10V, 1% Dimming
  - LHE Lutron H-Series Hi-lume 1% EcoSystem LED Driver
  - L5E Lutron 5-Series EcoSystem LED Driver

Select Hanger Length:

SOLID STEM 1/2" OD Standard		
Standard supplied length is 18" (460mm) Hangers will be supplied at closest length. All other lengths are considered custom unless otherwise stated.		
Select:	Imperial (in)	Metric (mm)
<input type="checkbox"/>	12	305
<input type="checkbox"/>	15	380
<input type="checkbox"/>	18	460
<input type="checkbox"/>	21	533
<input type="checkbox"/>	24	610
<input type="checkbox"/>	27	685
<input type="checkbox"/>	30	760
<input type="checkbox"/>	33	840
<input type="checkbox"/>	36	915
<input type="checkbox"/>	39	990
<input type="checkbox"/>	42	1067
<input type="checkbox"/>	45	1145
<input type="checkbox"/>	48	1220
<input type="checkbox"/>	Custom Length:	_____

AIRCRAFT CABLE		
Total adjustment range is 6" up & down for each standard length. All other lengths are considered custom unless otherwise stated. If no selection is made, 48" will be supplied.		
Select:	Imperial (in)	Metric (mm)
<input type="checkbox"/>	12	305
<input type="checkbox"/>	18	460
<input type="checkbox"/>	24	610
<input type="checkbox"/>	30	760
<input type="checkbox"/>	36	915
<input type="checkbox"/>	42	1067
<input type="checkbox"/>	48	1220
<input type="checkbox"/>	54	1372
<input type="checkbox"/>	60	1525
<input type="checkbox"/>	72	1830
<input type="checkbox"/>	96	2440
<input type="checkbox"/>	120	3050
<input type="checkbox"/>	144	3660
<input type="checkbox"/>	Custom Length:	_____

Select Canopy Finish:

Select:	Canopy
<input type="checkbox"/>	White Paint (Standard)
<input type="checkbox"/>	Custom Finish
	RAL: _____

### Light Level Performance

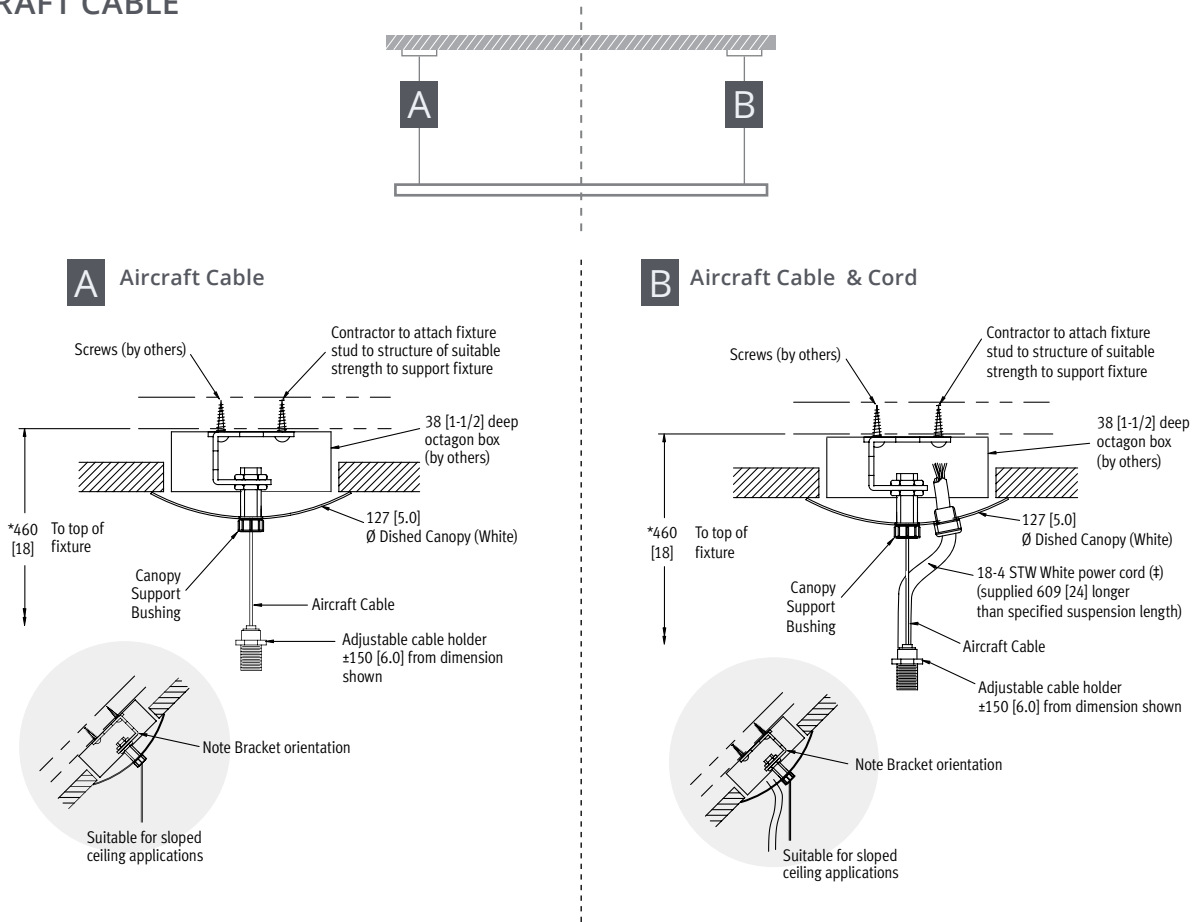
Light Level	Lumens	Wattage	Efficacy (LPW)
L1	3123	27	114
L2	3983	35	114
L3	5704	48	119
L4	10932	96	114

Color Temp	80 CRI	90 CRI
3000K	0.984	0.880
3500K	1.000	0.875
4000K	1.032	0.879

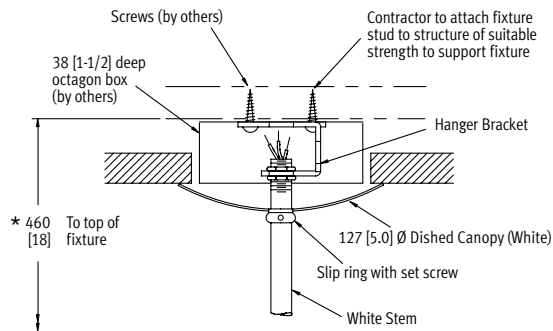
Metalumen's light level performance metrics are subject to manufacturers component tolerances.

### HANGER INFORMATION

#### AIRCRAFT CABLE



#### SOLID STEM



## SPECIFICATIONS

Due to the Continuous Improvement Policy at Metalumen, we reserve the right to change our specifications without notice.

**Housing:** Low profile, elliptically shaped indirect/direct luminaire measuring 73mm [2.9"] high by 304mm [12.0"] wide. The structural integrity of the luminaire is provided by a formed aluminum 18 gauge, one piece, perforated aluminum screen with integral perforated twin baffles, 16 gauge steel internal support brackets and ballast cover and die cast end caps. The fixture's formed ballast channel, in conjunction with the die cast end caps, offers strength for sections as long as a nominal 3660mm [12'-0"] with only two (2) hanger assemblies. As a result, straight alignment for continuous

row installations can be maintained with a minimal amount of supports. Metalumen's integrated tongue and groove electrical/mechanical interlock ensure straight runs for continuous run applications providing for a cost-effective installation. No disassembly of the product is required during installation.

**Optical System:** Metalumen luminaires are designed to utilize leading edge LED technology combined with luminaire optimized reflectors and our custom diffusers, resulting in industry leading optical performance.

**CRI:** 83 (3500K) (80 minimum)

**Lumen Maintenance:** Minimum 50,000h with TM-21 lumen maintenance of 85% @ 25°C ambient temperature (calculated based on IESNA LM-80-08 LED test data). L70: ≥ 60,000hrs.

**Finish:** White, baked, powder coated finish. Gloss 85%. Consult factory for custom colors/finishes.

**Weight:** 1.9 kg/300mm [4.1 lb/ft]

**Mounting:** Solid stem 13mm (1/2") OD or steel aircraft cable complete with a Quick-Grip field adjustable suspension system provides for quick and easy on site alignment (contact factory for custom lengths).

**Electrical:** Each section is individually

connected in the field to a remote driver box.

**Drivers:** Metalumen offers 0-10V dimming\* as a standard on our entire LED product offering. Dimming range is 1%-100%. Power factor is > 90%.

Class 2 rating.

**Approvals:** All components are UL Recognized or Listed. RoHS compliant. cULus listed.

**Environment:** Suitable for dry locations.

*\*Standard drivers compatible with passive/sinking dimmers. Please contact Metalumen if active/sourcing dimmer support is required.*

## WARRANTY

Metalumen will warrant defective luminaires for 5 years from date of purchase. Warranty is valid if luminaire is installed and used according to specification. If defective, Metalumen will send replacement boards or drivers at no cost along with detailed replacement instructions and instructions on how to return defective components to Metalumen.

## PHOTOMETRIC DATA - 3500K, 80 CRI

Optics Up: **Open Top**

Optics Down: **Perforated Cross Blade Baffle with Opal Overlay**

IES File: **O5K-2L35K-4-PBO-L3**

Lumens: **5621** Wattage: **47.7**

Efficacy: **118 LPW**

### ZONAL LUMEN SUMMARY

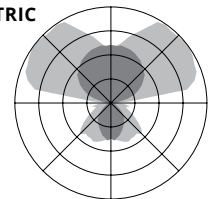
Zone	Lumens	%Fixt
0-90	1314	23
90-180	4316	77
0-180	5629	100

### LUMINANCE DATA (CD/M2)

Vertical Angle	Horizontal Angle		
	0	45	90
45	813	1095	1961
55	631	1194	1765
65	497	872	1561
75	405	617	1540
85	291	690	2692

### PHOTOMETRIC CURVE

77% Up  
23% Down



Photometric performance is measured and scaled in accordance with IESNA LM-79.