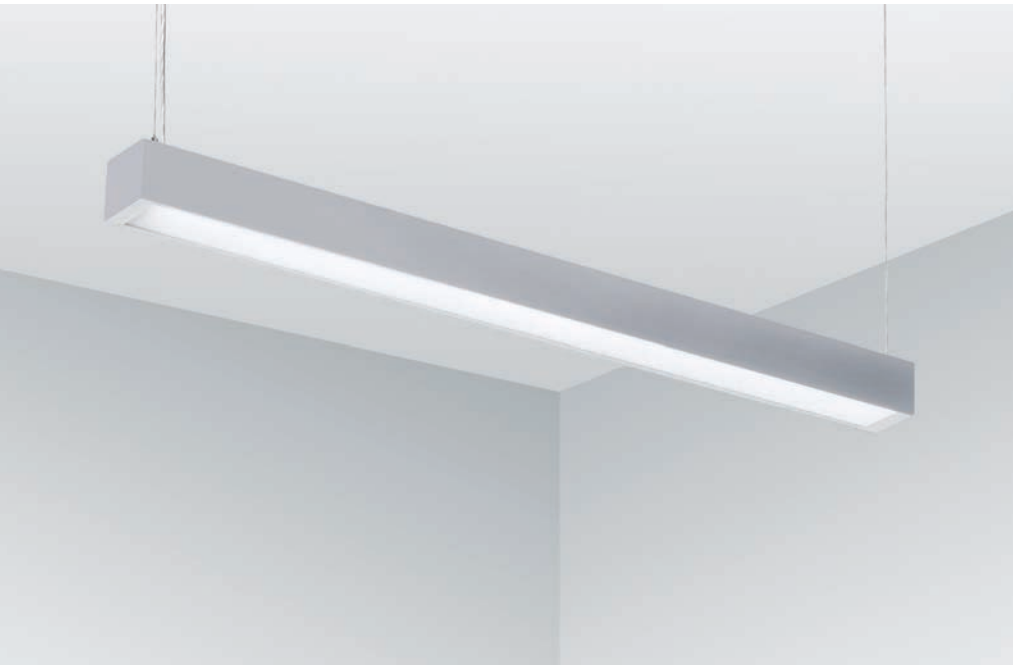


 Metalumen



RAIL / GRANDE
RM2 & RM4 Series

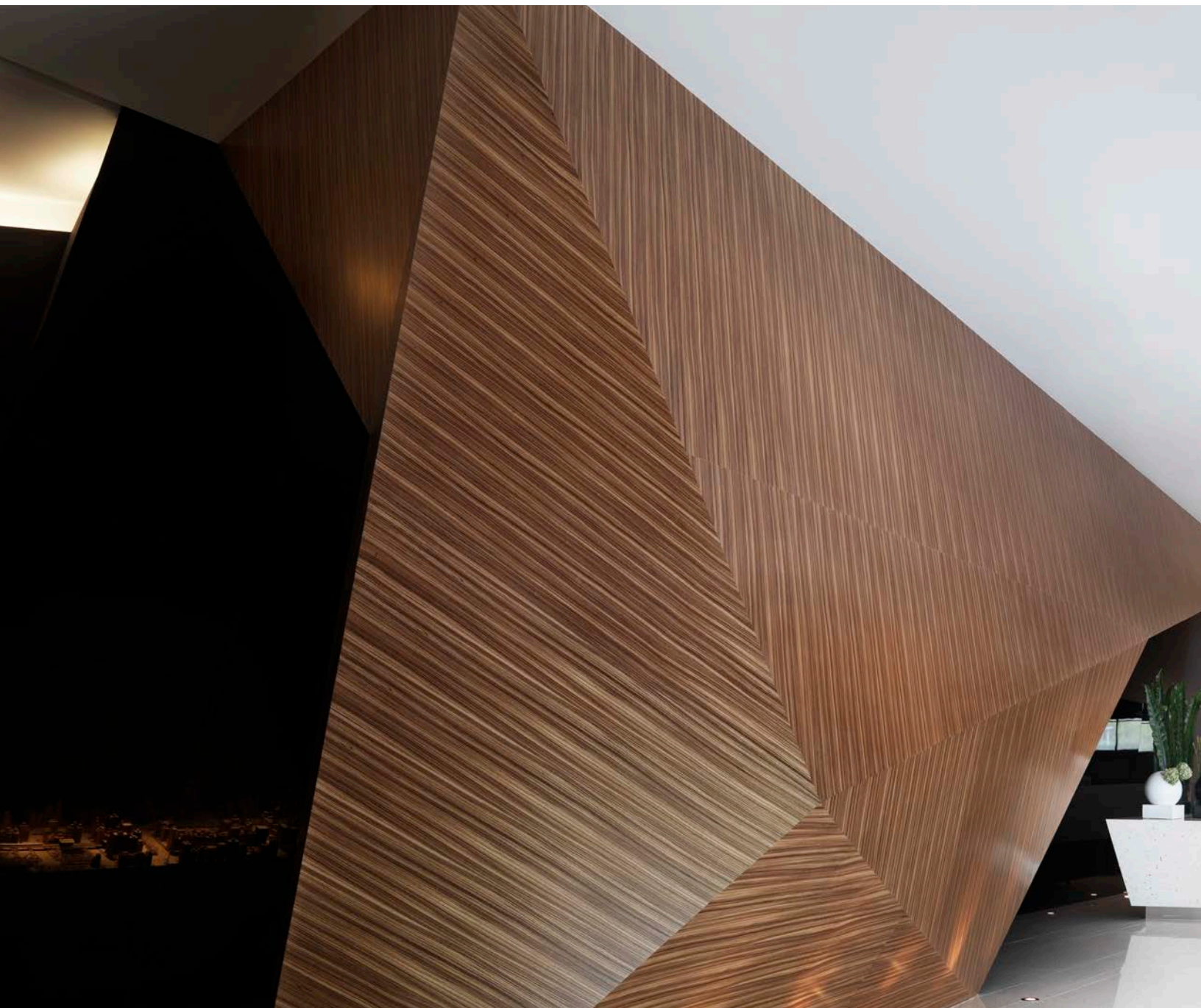
15



We believe that well-designed spaces are created by inspired designers working with inspiring products. We also believe in function and efficiency. When we created our RAIL/GRANDE series, we were inspired by both the art and the science of illumination.

Our RAIL/GRANDE series brings a synergy to any design layout, enhancing architectural detail and creating complementary spatial patterns. Its contemporary European design features clean, simple lines for a sleek, sophisticated presentation.

Constructed with extruded aluminum, our luminaires can be installed in an array of horizontal and vertical configurations in dry-wall or T-bar. They can be suspended, surface-mounted or recessed.



All our luminaires have options for daylight harvesting, occupancy sensing and dimming control to augment energy saving strategies.

Our RAIL/GRANDE series offers T8, T5 and T5 HO fluorescent and LED lamping. Our premium LEDs produce higher and more efficient lumens than fluorescent lamps. These LEDs have the ability to effectively light a wide variety of spaces, including spaces with high ceilings. Emanating a smooth, non-pixelated glow, these LEDs maintain the slim, minimalist presentation found throughout this series.

As always, all components of this series have been created with an adherence to the impeccable design and crafting traditions Metalumen clients have come to expect.



CONTENTS

Page 4 - 5	■ RAIL (Direct)
Page 6 - 7	■ RAIL (Direct / Indirect)
Page 8 - 9	■ GRANDE (Direct)
Page 10 - 11	■ GRANDE (Direct)
Page 12 - 13	■ GRANDE (Direct / Indirect)
Page 14	■ LAMP TYPES
Page 15	■ CONTROLS & CONSTRUCTION SPECIFICATIONS

APPLICATIONS

- Open plan
- Private offices
- Conference rooms
- Reception areas
- Educational facilities
- Healthcare facilities
- Retail-commercial
- Wall and ceiling accents
- Transportation and wayfinding

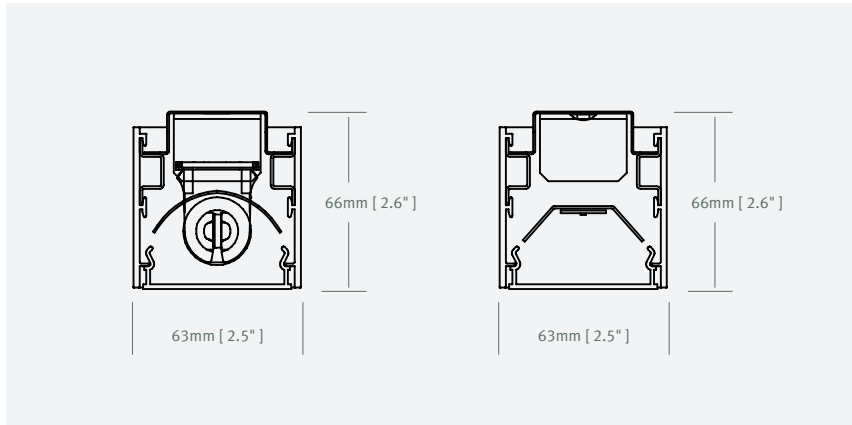
FEATURES

- Anodized extruded aluminum
- Small profile, flanged or flangeless
- Non-imaging optical diffuser
- Flangeless profile for pendant, in grid and surface
- Flanged or flangeless profile for recessed wall and ceiling
- Continuous runs available
- Dimming options

RAIL RM2D (DIRECT)

Perfect for wayfinding, our RAIL direct luminaire can be used in any application to provide definition and accentuate architectural detail. This elegant luminaire delivers versatility along with exceptional energy efficiency. Its extruded aluminum construction offers a balance of strength and flexibility to accommodate a variety of configurations, including 90-degree angles.





■ Lens



■ Mounting Options

- Flanged or Flangeless
- T-Bar and Drywall Ceilings
- Drywall Walls
- Surface, Wall or Pendant
- Seamless Luminous Aperture
- 90° Corners Available

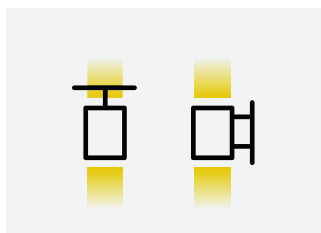
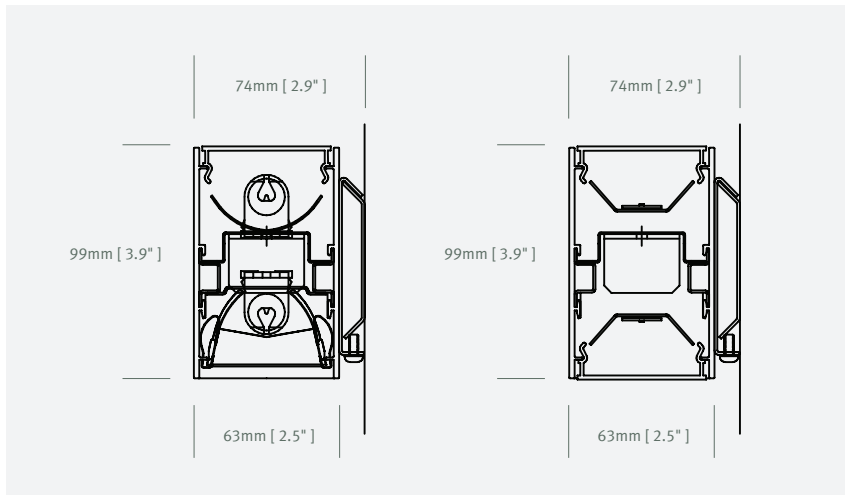
RAIL RM2DI (DIRECT & INDIRECT)

Our RAIL direct/indirect luminaire efficiently addresses both task and ambient lighting requirements. Easily controlled to simultaneously respond to different lighting needs, this luminaire is ideally suited to multi-purpose open concept spaces. A variety of options, including daylight and occupancy sensors and dimming controls, enable the user to achieve maximum energy savings.





Photo Provided by in2design Solutions Inc.



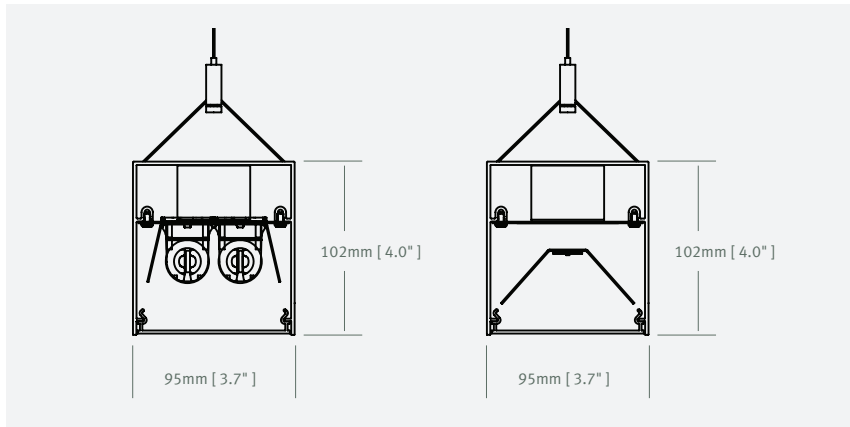
- Pendant Mounted
- Wall Mounted
- Seamless Luminous Aperture

■ Mounting Options

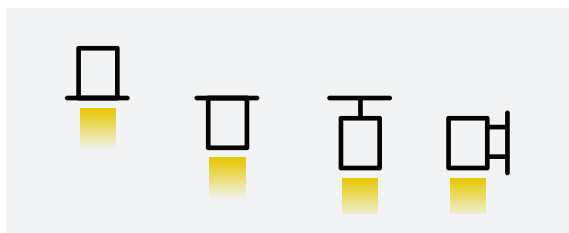
GRANDE RM4D (DIRECT)

Our GRANDE direct luminaire is designed to accommodate spaces where larger scale lighting is desired. This luminaire delivers more illumination while continuing to offer excellent energy efficiencies. Our GRANDE direct luminaire complements a strong design statement while maintaining the sleek, sophisticated lines inherent to this series.





■ Lens



■ Mounting Options

- Flanged or Flangeless
- T-Bar and Drywall Ceilings
- Surface, Wall or Pendant
- Seamless Luminous Aperture
- 90° Corners Available

GRANDE RM4D (DIRECT)

All luminaires in our RAIL/GRANDE series are available in individual or continuous-run configurations and can be aligned to respond to and complement any design layout. Our GRANDE luminaires are equipped with integral drivers and ballasts for easy installation and maintenance. Spring-loaded adapter plates minimize light leaks by allowing our GRANDE lenses to smoothly respond to thermal expansion and contraction.

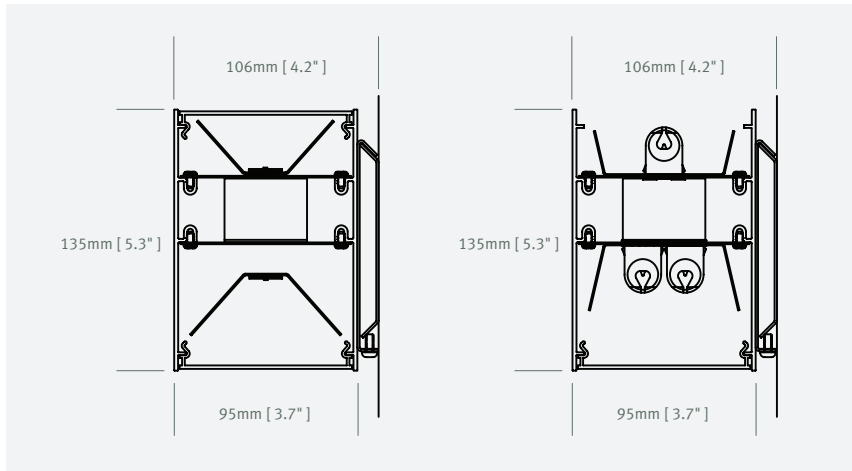




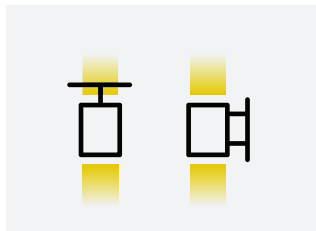
GRANDE RM4DI (DIRECT & INDIRECT)

Our GRANDE direct/indirect luminaire is specifically engineered to accommodate teamwork in large open concept spaces. Able to efficiently meet the lighting requirements for different tasks at the same time, this luminaire is ideal for multi-use spaces. In keeping with the minimalist tone of this series, extruded aluminum construction allows for the suspension of a single-piece 12-foot luminaire using only two suspension points.





■ Lens



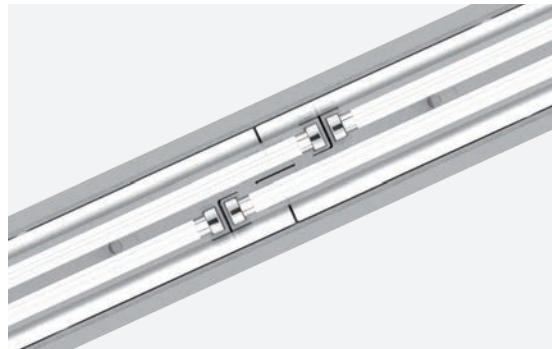
■ Mounting Options

- Pendant Mounted
- Wall Mounted
- Seamless Luminous Aperture

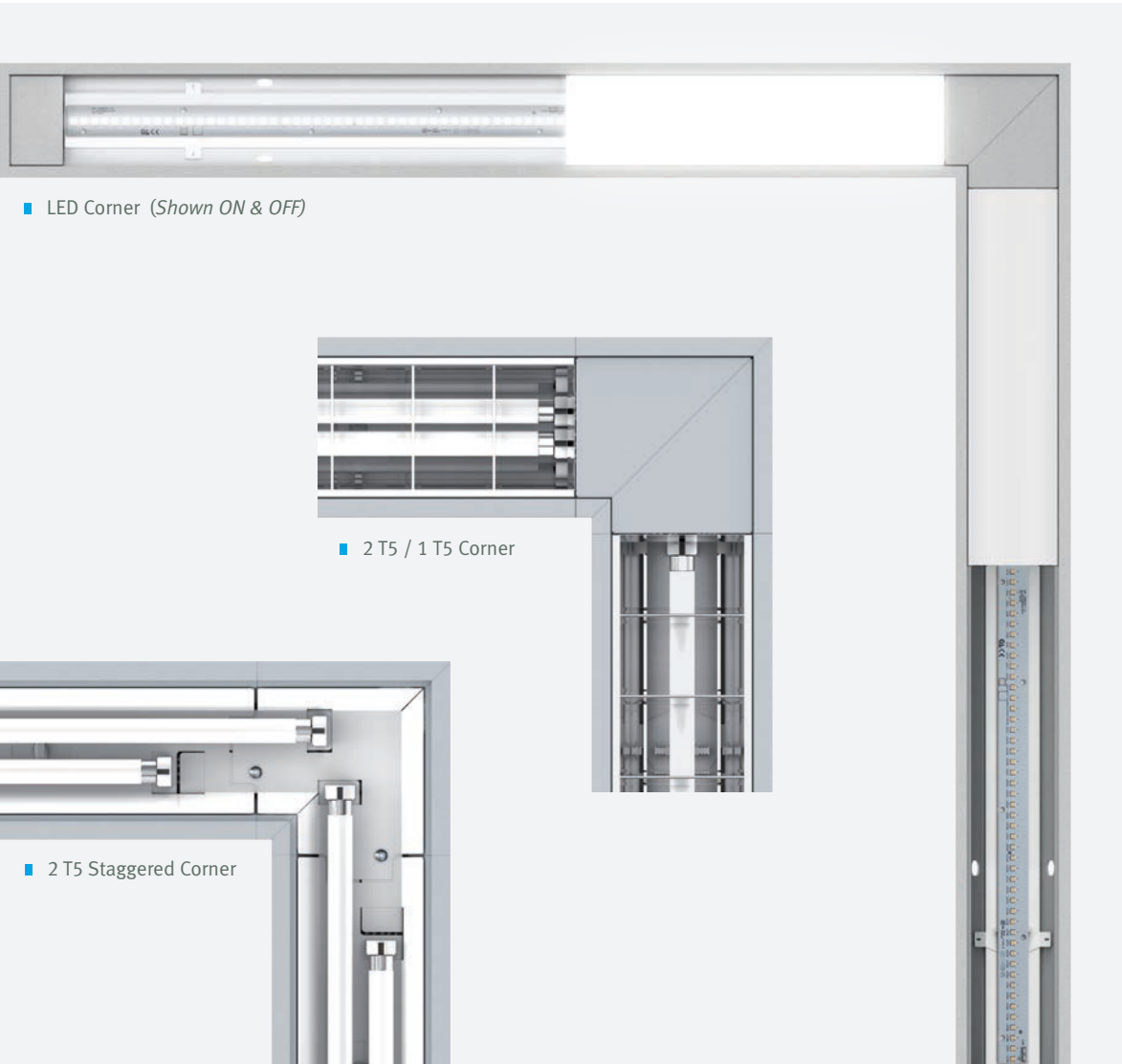
LAMP TYPES RM2 & RM4 Series



■ Lens



■ 2 T5 Staggered



■ LED Corner (*Shown ON & OFF*)

■ 2 T5 / 1 T5 Corner

■ 2 T5 Staggered Corner

CONSTRUCTION SPECIFICATIONS



■ Semi-specular Louvre Lens Shown

CONTROLS

Metalumen offers a full range of integrated controls(*) including occupancy, daylight harvesting, switching for a/v applications and combination sensors both wired and wireless.

We strongly support our industry's movement toward a sustainable environment. A variety of energy efficiency options, including daylight and occupancy sensors and dimming controls, are available throughout our RAIL/GRANDE series.



Choose a single sensor control for up to 20 fixtures or a plug and play DALI integration that provides up to 65% energy savings with daylight and occupancy sensor controls with no training required for commissioning. Also available are wireless passive infrared technology switching and dimming controls.

Metalumen ensures compatibility with dimming and switching ballasts from numerous manufacturers. State-of-the-art sensors, flexibility in design and simple to use lighting control solutions allow you to match the requirements of most spaces and building interfaces.

(*) control integration specific to each fixture type - consult Metalumen or product ordering guide for complete technical details.

PENDANT, RECESSED, WALL & SURFACE

HOUSING - RAIL

Rigid extruded aluminum body, 2.3mm [0.09"] nominal wall thickness
63mm [2.5"] width x 66mm [2.6"] high (Direct)
63mm [2.5"] width x 99mm [3.9"] high (Direct/Indirect)
End Caps: C.R.S.

HOUSING - GRANDE

Rigid extruded aluminum body, 2.0mm [0.08"] nominal wall thickness
95mm [3.7"] width x 102mm [4.0"] high (Pendant/Wall/Surface)
115mm [4.5"] width x 119mm [4.7"] high (Recessed)
95mm [3.7"] width x 135mm [5.3"] high (Direct/Indirect)
End Caps: C.R.S.

FINISH

Anodized aluminum and custom finishes available

MOUNTING

PENDANT

Steel aircraft cable yoke complete with a Quick-Grip field adjustable suspension system provides for quick and easy on-site alignment.

RECESSED

T-Bar — Mounting clips supplied
Drywall — Mounting brackets supplied

WALL

Wall brackets supplied

SURFACE

Direct to surface mount

LIGHTING CONTROL OPTIONS

Specular and semi-specular parabolic louvre
High-transmittance snap-in satin lens
Asymmetrical reflector — single lamp only — open bottom

LED/DRIVER SPECIFICATIONS

Medium power LEDs

Color temperatures available: 3000K, 4000K, 5000K

CRI: (5000k) (80 minimum)

Power consumption: 15w - 700mA, 7.5w - 350mA

Hours: 50,000

Delivered lumens/foot (RAIL)

700 mA
3000k 942 l/ft / 4000K 1046 l/ft / 5000K 1063 l/ft
350 mA
3000k 471 l/ft / 4000K 523 l/ft / 5000K 532 l/ft

Delivered lumens/foot (GRANDE)

700 mA
3000k 990 l/ft / 4000K 1110 l/ft / 5000K 1118 l/ft
350 mA
3000k 495 l/ft / 4000K 550 l/ft / 5000K 559 l/ft

Delivered lumens are doubled for direct/indirect models

Voltage: 120v or 277v input voltage

LED connections: Board-mounted connectors

Drivers

Available from several manufacturers. Drivers matched to run lengths and specific LED light engines.

Certification

Testing standards: Tested in accordance with IES-LM79-08
RoHS compliant
Warranty: 3 years

Refer to RAIL/GRANDE Order Guides for additional ordering details and RAIL/GRANDE instruction sheets for installation and mounting procedures.



RAIL / GRANDE RM2 & RM4 Series

Metalumen Manufacturing Inc.
570 Southgate Drive
Guelph, Ontario, Canada
N1G 4P6

Toll Free: 1-800-621-6785
Tel: 1-519-822-4381
Fax: 1-519-822-4589

Mailing Address
PO Box 1779
Guelph, Ontario, Canada
N1H 6Z9

www.metalumen.com

Please refer to black and white ordering guides for detailed product information and photometrics or visit our website at www.metalumen.com.

All dimensions are nominal and subject to tolerances. We reserve the right to make changes that will not alter installed appearance, function or performance. These designs remain the property of Metalumen. We reserve the exclusive right to reproduce them and to manufacture the items illustrated herein. Some combinations may not be available, consult factory. Metalumen is a registered trademark.

Copyright ©2011 Metalumen Manufacturing Inc. All rights reserved.
Trademark and Products Licensed by REGIOLUX™.