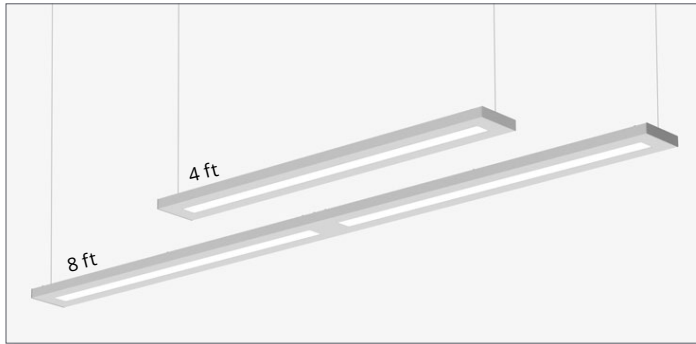


# STAIL RMEP6

LED . PENDANT . DIRECT/INDIRECT



PART #:	
PREP BY:	DATE:
PROJECT:	QTY:
NOTES:	
APPROVAL SIGNATURE:	DATE (DD/MM/YYYY):

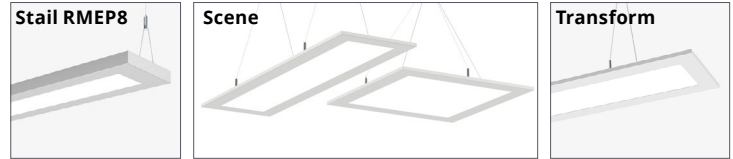
PERFORMANCE SUMMARY @ 3500K		CM	ODCM	73M	40M	16CM
		L3				
Lumens	80 CRI	5610	5197	5811	5462	5148
	90 CRI	4909	4547	5085	4779	4505
Distribution % (Up / Down)		67 / 33	55 / 45	72 / 28	40 / 60	16 / 84
Wattage		48.6				
Efficacy	80 CRI	115	107	119	112	106
	90 CRI	101	94	105	98	93
L70 Estimate (h)		≥ 60,000 hrs				

See page 2 for the complete Light Level Performance chart. Based on 4 ft sections.

- Efficacy up to 119 LPW
- Available in direct / indirect
- Suitable for dry locations



## RELATED PRODUCTS



## ORDERING LOGIC

Example Part Number: RMEP6-2L35K-8-CM-WT-L31-PA18-1-D-90

RMEP6										
1	2	3	4	5	6	7	8	9	10	11

<b>1. SERIES</b> <b>RMEP6</b>	<b>2. COLOR TEMP</b> <b>2L30K</b> 3000K <b>2L35K</b> 3500K <b>2L40K</b> 4000K  <small>90 CRI is available under OPTIONS</small>	<b>3. LENGTH</b> <b>4</b> 4 ft <b>8</b> 8 ft <b>RA</b> Continuous Rows Replace "A" with length in feet selected on p2	<b>4. OPTICS</b> <b>CM</b> UP: Clear Optics, Straight Reflector   DOWN: Meta Ice (67 up / 33 down) <b>ODCM</b> UP: Opal Optics, Straight Reflector DOWN: Meta Ice (55 up / 45 down) <b>73M</b> UP: No Optics, Straight Reflector   DOWN: Meta Ice (72 up / 28 down) <b>40M</b> UP: No Optics, Angled Reflector   DOWN: Meta Ice (40 up / 60 down) <b>16CM</b> UP: Clear Optics, Angled Reflector   DOWN: Meta Ice (16 up / 84 down) <b>Meta Ice:</b> High output semi-diffuse lens	<b>5. FINISH</b> <b>SG</b> Silver / Grey Textured Coat <b>WT</b> White Textured <b>C</b> Custom Finish Specify RAL:	<b>6. LIGHT LEVEL/DRIVER</b> <b>L1</b> Select Driver below. <b>L2</b> <b>L3</b> See Light Level Performance chart on p2. <b>L4</b>
<b>7. CIRCUITRY</b> <b>1</b> 1 Circuit <b>EM</b> Emergency / Night Light * <b>B</b> Emergency Battery Pack * <sup>B</sup> (Remote Mounted)	<b>8. MOUNTING</b> <b>PAA</b> Pendant Aircraft Cable <b>PTA</b> Pendant Aircraft Cable for T-bar  Replace "A" with length (inches) selected below. Select Aircraft Cable Length & Canopy Finish below	<b>9. VOLTAGE</b> <b>1</b> 120V <b>2</b> 277V <b>3</b> 347V <b>4</b> UNV (120 - 277V)	<b>10. CONTROLS / SENSORS</b> _ None (leave space empty) <b>D</b> Wattstopper Daylight Sensor <b>O</b> Wattstopper Occupancy Sensor <b>DO</b> Wattstopper Daylight and Occupancy Sensor	<b>11. OPTIONS</b> <b>90</b> 90 CRI, High R9 _ None (leave space empty)	

\*Two wire entries required. | <sup>B</sup>Battery operates 4ft sections only.

### Select Driver:

- Factory option 0-10V, 1% Dimming
- LHE** Lutron H-Series Hi-lume 1% EcoSystem LED Driver
- LSE** Lutron 5-Series EcoSystem LED Driver

### Select Aircraft Cable Length:

Total adjustment range is 6" up & down for each standard length. All other lengths are considered custom unless otherwise stated. **If no selection is made, 48" will be supplied.**

Select:	Imperial (in)	Metric (mm)
<input type="checkbox"/>	12	305
<input type="checkbox"/>	18	460
<input type="checkbox"/>	24	610
<input type="checkbox"/>	30	760
<input type="checkbox"/>	36	915
<input type="checkbox"/>	42	1067
<input type="checkbox"/>	48	1220

Select:	Imperial (in)	Metric (mm)
<input type="checkbox"/>	54	1372
<input type="checkbox"/>	60	1525
<input type="checkbox"/>	72	1830
<input type="checkbox"/>	96	2440
<input type="checkbox"/>	120	3050
<input type="checkbox"/>	144	3660
<input type="checkbox"/>	Custom Length: _____	

### Select Canopy Finish:

Canopy	
<input type="checkbox"/>	White
<input type="checkbox"/>	Custom Finish
RAL: _____	

Light Level Performance | 3500K, 80 CRI, 0-10V Dimming (Standard), 4ft sections

Optics	CM			ODCM			73M			40M			16CM		
	Lumens	Wattage	Efficacy	Lumens	Wattage	Efficacy	Lumens	Wattage	Efficacy	Lumens	Wattage	Efficacy	Lumens	Wattage	Efficacy
L1	3068	27.8	110	2842	27.8	102	3178	27.8	114	2987	27.8	107	2817	27.8	101
L2	3906	35.4	110	3619	35.4	102	4046	35.4	114	3804	35.4	107	3586	35.4	101
L3	5610	48.6	115	5197	48.6	107	5811	48.6	119	5462	48.6	112	5148	48.6	106
L4	10733	97.2	110	9945	97.2	102	11121	97.2	114	10452	97.2	107	9854	97.2	101

Lumen Adjustment Factor

Color Temp	80 CRI	90 CRI
3000K	0.984	0.873
3500K	1.000	0.875
4000K	1.032	0.879

Metalumen's light level performance metrics are subject to manufacturers component tolerances.

CONTINUOUS ROWS

Step 1) Indicate desired quantity of rows under the QTY column

Step 2)  ← Pods →  If applicable, select pod(s) per row to indicate desired Emergency lighting location. If a similar row requires a different Emergency lighting location, please fill out another sheet.

Record drawings for rows not represented here will be sent out upon order.

QTY	Nominal Length	Run Length Overall	Along / Start Length	Mid Length(s)	End Length	ROWS IN PLAN VIEW
-----	----------------	--------------------	----------------------	---------------	------------	-------------------

Rows are for demonstration purposes only and are not to scale.

4'	1240 [48.8]	4				1228 [48.3]	
8'	2480 [97.6]	8				2468 [97.2]	
12'	3719 [146.4]	8		4		2468 [97.2] 1228 [48.3]	
16'	4959 [195.2]	8		8		2468 [97.2] 2468 [97.2]	
20'	6199 [244.1]	8	8	4		2468 [97.2] 2480 [97.6] 1228 [48.3]	
24'	7439 [292.9]	8	8	8		2468 [97.2] 2480 [97.6] 2468 [97.2]	
28'	8679 [341.6]	8	8 (x2)	4		2468 [97.2] 2480 [97.6] 2480 [97.6] 1228 [48.3]	
32'	9918 [390.5]	8	8 (x2)	8		2468 [97.2] 2480 [97.6] 2480 [97.6] 2468 [97.2]	
36'	11158 [439.3]	8	8 (x3)	4		2468 [97.2] 2480 [97.6] 2480 [97.6] 2480 [97.6] 1228 [48.3]	
40'	12398 [488.1]	8	8 (x3)	8		2468 [97.2] 2480 [97.6] 2480 [97.6] 2480 [97.6] 2468 [97.2]	
44'	13638 [536.9]	8	8 (x4)	4		2468 [97.2] 2480 [97.6] 2480 [97.6] 2480 [97.6] 2480 [97.6] 1228 [48.3]	
48'	14878 [585.7]	8	8 (x4)	8		2468 [97.2] 2480 [97.6] 2480 [97.6] 2480 [97.6] 2480 [97.6] 2468 [97.2]	

**LEGEND**

- Standard (STD) Wire Entry Location
- Emergency (EM) / Night Light Location
- EM or Battery Wire Entry Location

Mounting Points

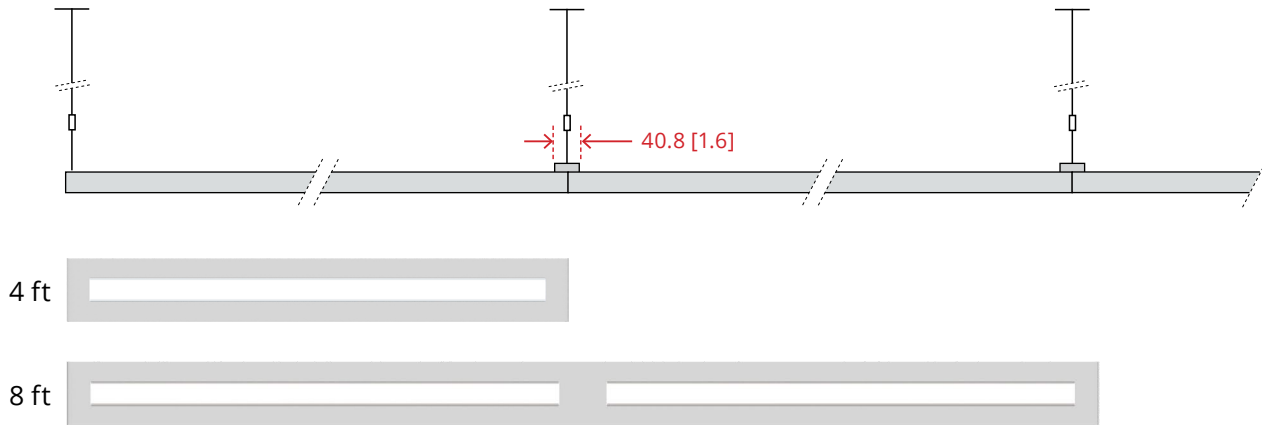
A = Distance Between Mounting Points

EM / Night Light and EM or Battery Wire Entry location in relation to pod selections:

Examples 20 ft run

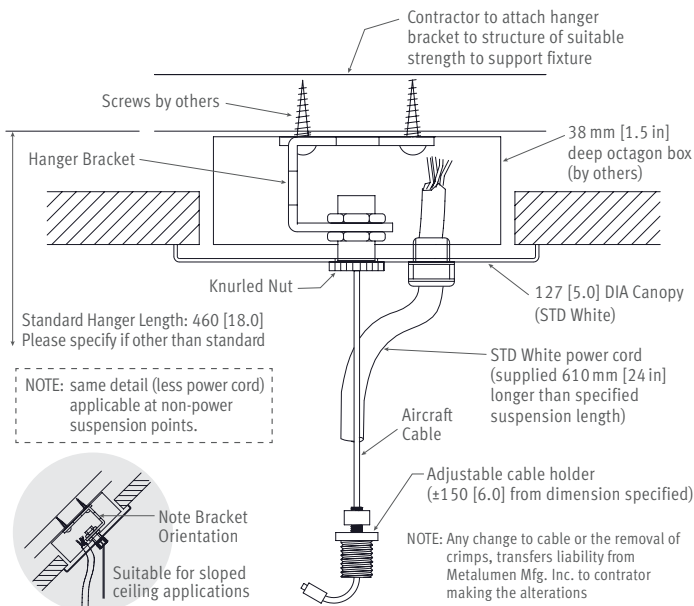
Refer to page 3 for Hanger information

CONTINUOUS ROWS (continued)

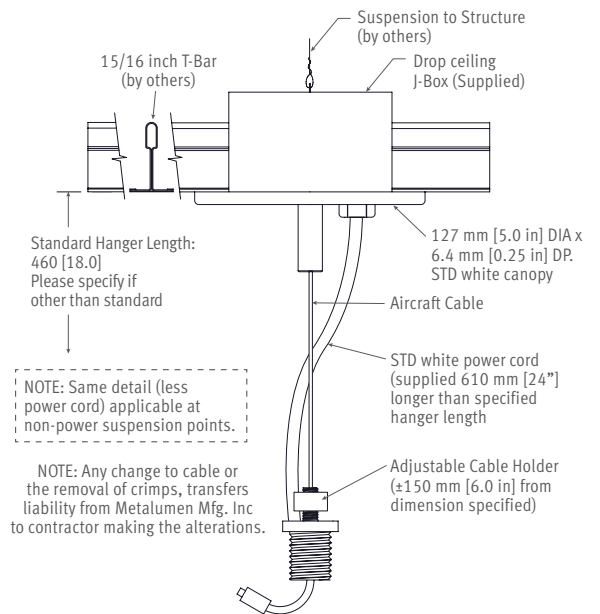


HANGER

Aircraft Cable & Cord



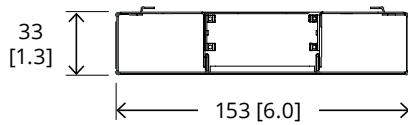
T-Bar Aircraft Cable & Cord



WIRING

Standard	Emergency / Night Light	Emergency Battery Pack
<p>BLACK - LINE                      WHITE - NEUTRAL                      GREEN - GROUND                      RED - CAPPED/SW LEAD                      VIOLET - DIM(+)                      PINK - DIM(-)</p>	<p>BLACK - LINE                      WHITE - NEUTRAL                      GREEN - GROUND                      RED - CAP OFF</p>	<p>BLACK - LINE                      WHITE - NEUTRAL                      GREEN - GROUND                      RED - UNSWITCHED HOT</p>

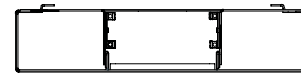
## CROSS SECTIONS



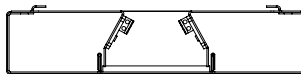
**CM**  
Clear Optics, Straight Reflector



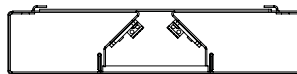
**ODCM**  
Opal Optics, Straight Reflector



**73M**  
No Optics, Straight Reflector



**40M**  
No Optics, Angled Reflector



**16CM**  
Clear Optics, Angled Reflector

## SPECIFICATIONS

Due to the Continuous Improvement Policy at Metalumen, we reserve the right to change our specifications without notice.

**Housing:** Cold rolled steel body fabrication, 0.91mm (20 Ga.) wall thickness.

**Optical System:** MetaLED mid flux LED technology.

**CRI:** Minimum 83 CRI at 3500K.

**Lumen Maintenance:** At an ambient operating temperature of 25°C the LED lifetime expectancy  $\geq$  60 000hrs at L70.

**Finish:** Silver/grey textured and white textured are standard finishes. For custom finish, consult factory.

**Weight:** 1.8 kg/300mm [4 lb/ft]

**Mounting:** Aircraft cable with Quick-Grip field adjustable suspension system provides for quick and easy on site alignment.

**Electrical:** Factory prewired with easy

wire quick connect sections.

**Drivers:** Metalumen offers 0-10V dimming\* as a standard on our entire LED product offering. Dimming range is 1%-100%. Power factor is  $>$  90%. Class 2 rating.

**Approvals:** All components are UL/CSA/QPS recognized or listed. RoHS compliant. This product is cULus listed.

**Environment:** Suitable for dry locations.

*\*Standard drivers compatible with passive/sinking dimmers. Please contact Metalumen if active/sourcing dimmer support is required.*

## WARRANTY

Metalumen will warrant defective luminaires for 5 years from date of purchase. Warranty is valid if luminaire is installed and used according to specification. If defective, Metalumen will send replacement boards or drivers at no cost along with detailed replacement instructions and instructions on how to return defective components to Metalumen.

PHOTOMETRIC DATA - 3500K, 80 CRI

Optics Up: **Clear Optics, Straight Reflector**  
 Optics Down: **Meta Ice**  
 IES File: **RMEP6-2L35K-4-CM-L3**  
 Lumens: **5610** Wattage: **48.6**  
 Efficacy: **115**

ZONAL LUMEN SUMMARY

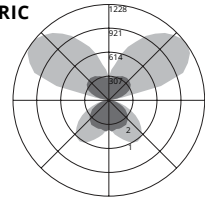
Zone	Lumens	%Fixt
0-90	1862	33.2
90-180	3747	66.8
0-180	5608	100

LUMINANCE DATA (CD/M<sup>2</sup>)

Vertical Angle	Horizontal Angle		
	0	45	90
45	2505	3108	3610
55	2443	2917	3276
65	2295	2375	2571
75	1871	1544	1639
85	1118	561	482

PHOTOMETRIC CURVE

67% Up  
33% Down



Optics Up: **Opal Optics, Straight Reflector**  
 Optics Down: **Meta Ice**  
 IES File: **RMEP6-2L35K-4-ODCM-L3**  
 Lumens: **5197** Wattage: **48.6**  
 Efficacy: **107**

ZONAL LUMEN SUMMARY

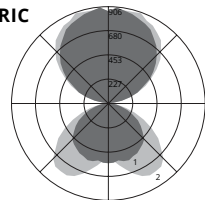
Zone	Lumens	%Fixt
0-90	2346	45.1
90-180	2855	54.9
0-180	5201	100

LUMINANCE DATA (CD/M<sup>2</sup>)

Vertical Angle	Horizontal Angle		
	0	45	90
45	3443	3821	4392
55	3275	3526	3930
65	2908	2848	3029
75	2295	1852	1870
85	1465	678	640

PHOTOMETRIC CURVE

55% Up  
45% Down



Optics Up: **No Optics, Straight Reflector**  
 Optics Down: **Meta Ice**  
 IES File: **RMEP6-2L35K-4-73M-L3**  
 Lumens: **5811** Wattage: **48.6**  
 Efficacy: **119**

ZONAL LUMEN SUMMARY

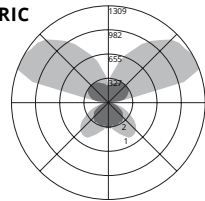
Zone	Lumens	%Fixt
0-90	1603	27.6
90-180	4207	72.4
0-180	5809	100

LUMINANCE DATA (CD/M<sup>2</sup>)

Vertical Angle	Horizontal Angle		
	0	45	90
45	2055	2687	3218
55	2076	2528	2966
65	1869	2101	2317
75	1544	1365	1436
85	908	454	384

PHOTOMETRIC CURVE

72% Up  
28% Down



Optics Up: **None, Angled Reflector**  
 Optics Down: **Meta Ice**  
 IES File: **RMEP6-2L35K-4-40M-L3**  
 Lumens: **5462** Wattage: **48.6**  
 Efficacy: **112**

ZONAL LUMEN SUMMARY

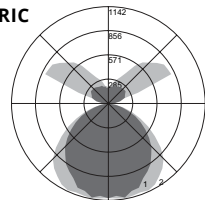
Zone	Lumens	%Fixt
0-90	3286	60.1
90-180	2178	39.9
0-180	5464	100

LUMINANCE DATA (CD/M<sup>2</sup>)

Vertical Angle	Horizontal Angle		
	0	45	90
45	5210	5155	5562
55	4707	4434	4623
65	4100	3405	3463
75	3028	2126	2036
85	1689	645	549

PHOTOMETRIC CURVE

40% Up  
60% Down



Optics Up: **Clear Optics, Angled Reflector**  
 Optics Down: **Meta Ice**  
 IES File: **RMEP6-2L35K-4-16CM-L3**  
 Lumens: **5148** Wattage: **48.6**  
 Efficacy: **106**

ZONAL LUMEN SUMMARY

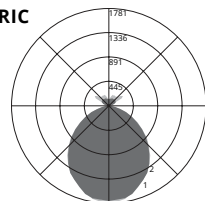
Zone	Lumens	%Fixt
0-90	4310	83.6
90-180	844	16.4
0-180	5154	100

LUMINANCE DATA (CD/M<sup>2</sup>)

Vertical Angle	Horizontal Angle		
	0	45	90
45	7425	6461	6268
55	6573	5378	5156
65	5529	4038	3832
75	4086	2486	2268
85	2183	783	699

PHOTOMETRIC CURVE

16% Up  
84% Down



OPTICS DISTRIBUTION SUMMARY

Cross Section	Part Number	Delivered Lumens	Input Wattage	Efficacy	Direct Lumens	Direct %	Indirect Lumens	Indirect %	Distribution Photometry
---------------	-------------	------------------	---------------	----------	---------------	----------	-----------------	------------	-------------------------

**CM** = Clear Optics, Straight Reflector (65 Up / 35 Down)

	RMEP6-2L35K-4-CM-XX-L1X-XX-X	3068	27.8	110	1019	33	2049	67	
	RMEP6-2L35K-4-CM-XX-L2X-XX-X	3906	35.2	110	1296	33	2610	67	
	RMEP6-2L35K-4-CM-XX-L3X-XX-X	5610	48.6	115	1862	33	3747	67	
	RMEP6-2L35K-4-CM-XX-L4X-XX-X	10733	97.2	110	3561	33	7170	67	


**ODCM** = Opal Optics, Straight Reflector (55 Up / 45 Down)

	RMEP6-2L35K-4-ODCM-XX-L1X-XX-X	2842	27.8	102	1283	45	1562	55	
	RMEP6-2L35K-4-ODCM-XX-L2X-XX-X	3619	35.2	102	1633	45	1988	55	
	RMEP6-2L35K-4-ODCM-XX-L3X-XX-X	5197	48.6	107	2346	45	2854	55	
	RMEP6-2L35K-4-ODCM-XX-L4X-XX-X	9945	97.2	102	4495	45	5457	55	


**73M** = No Optics Straight Reflector (73 Up / 27 Down)

	RMEP6-2L35K-4-73M-XX-L1X-XX-X	3178	27.8	114	877	28	2300	72	
	RMEP6-2L35K-4-73M-XX-L2X-XX-X	4046	35.2	114	1115	28	2929	72	
	RMEP6-2L35K-4-73M-XX-L3X-XX-X	5811	48.6	119	1602	28	4206	72	
	RMEP6-2L35K-4-73M-XX-L4X-XX-X	11121	97.2	114	3065	28	8052	72	

**40M** = No Optics, Angled Reflector (40 Up / 60 Down)

	RMEP6-2L35K-4-40M-XX-L1X-XX-X	2987	27.8	107	1797	60	1191	40	
	RMEP6-2L35K-4-40M-XX-L2X-XX-X	3804	35.4	107	2289	60	1517	40	
	RMEP6-2L35K-4-40M-XX-L3X-XX-X	5462	48.6	112	3286	60	2178	40	
	RMEP6-2L35K-4-40M-XX-L4X-XX-X	10452	87.2	107	6289	60	4168	40	

**16CM** = Clear Optics, Angled Reflector (16 Up / 84 Down)

	RMEP6-2L35K-4-16CM-XX-L1X-XX-X	2817	27.8	101	2358	84	462	16	
	RMEP6-2L35K-4-16CM-XX-L2X-XX-X	3586	35.2	101	3004	84	587	16	
	RMEP6-2L35K-4-16CM-XX-L3X-XX-X	5148	48.6	106	4310	84	844	16	
	RMEP6-2L35K-4-16CM-XX-L4X-XX-X	9854	97.2	101	8247	84	1619	16	