

# RAIL 1 RML

LED . SURFACE . DIRECT



PART #:	
PREP BY:	DATE:
PROJECT:	QTY:
NOTES:	
APPROVAL SIGNATURE:	DATE (DD/MM/YYYY):

PERFORMANCE SUMMARY at 3500K		Meta Cloud	Drop Lens
		L3	L3
Lumens per foot	80 CRI	527	559
	90 CRI	461	489
Wattage per foot		6.1	
Efficacy (lm/W)	80 CRI	87	93
	90 CRI	76	80
L70 Estimate (h)		≥ 60,000 hrs	

See page 2 for the complete Light Level Performance and 90 CRI Lumen Adjustment charts.

## FEATURES

- Narrow 1.2 inch profile
- 3/4 inch drop lens option with seamless lines of light without pixels or shadows
- Suitable for dry or damp locations

## ORDERING LOGIC

Example Part Number: RML-1L35K-12-MC-W-L31-S-1-90

RML												
1	2	3	4	5	6	7	8	9	10	11	12	13
1. SERIES <b>RML</b>	2. COLOR TEMP <b>1L30K</b> 3000K <b>1L35K</b> 3500K <b>1L40K</b> 4000K  90 CRI is available under OPTIONS	3. LENGTH <b>2</b> 2 ft <b>3</b> 3 ft <b>4</b> 4 ft <b>5</b> 5 ft <b>6</b> 6 ft <b>7</b> 7 ft <b>8</b> 8 ft <b>9</b> 9 ft <b>10</b> 10 ft <b>11</b> 11 ft <b>12</b> 12 ft <b>RA</b> Continuous Rows* Replace "A" with length in feet <b>C</b> Custom Length* _ None (leave space empty)	4. PATTERN <sup>1</sup> <b>GA</b> Square <b>GAxB</b> Rectangle <b>UAxBxC</b> U-Shape <b>LAxB</b> L-Shape <b>C</b> Custom Pattern* _ None (leave space empty)  <b>Standard Patterns Minimum Lengths</b>  Square: A=4 ft min. Rectangle: A=4 ft min, B=4 ft min. U-Shape: A=3 ft min, B=4 ft min, C=3 ft min. L-Shape: A=3 ft min, B=3 ft min.  <b>Custom Patterns*</b> Lengths and a drawing of custom pattern are required on page 3  <b>Select corner:</b> <input type="checkbox"/> Outside 90° <input type="checkbox"/> Inside 90° 	5. OPTICS UP _ None (leave space empty)	6. OPTICS DOWN <b>MC</b> Meta Cloud <b>MD</b> Drop Lens**  <b>Meta Cloud:</b> Opal diffuse lens  <b>Drop Lens:</b> Opal diffuse lens	7. FINISH <b>SA</b> Satin Aluminum <b>W</b> White <b>B</b> Black <b>C</b> Custom Finish Specify RAL:	8. LIGHT LEVEL / DRIVER <b>L1</b> Select Driver below. <b>L2</b> All drivers are remote. See p2 for max. wire length. <b>L3</b> <b>L4</b> See Light Level Performance chart on p2.  <b>LX</b> Enter desired lm/ft: <input type="text"/>	9. CIRCUITRY <b>1</b> 1 Circuit <b>B</b> Emergency Battery Pack <sup>2</sup>	10. MOUNTING <b>S</b> Surface	11. VOLTAGE <b>1</b> 120 V <b>2</b> 277 V <b>3</b> 347 V <b>4</b> UNV (120 - 277V)	12. CONTROLS / SENSORS _ None (leave space empty)	13. OPTIONS <b>90</b> 90 CRI, High R9 _ None (leave space empty)

\*Consult factory. | \*\*Drop lens is not available with patterns. | <sup>1</sup> Pattern record drawings showing mounting locations and wire entries will be sent out upon order. | <sup>2</sup> Battery operates 4ft sections only.

### Select Driver:

- Factory option 0-10V, 1% Dimming
- LHE** Lutron H-Series Hi-lume 1% EcoSystem LED Driver
- LA2** Lutron A-Series Hi-lume 1% 2-wire LED Driver
- L5E** Lutron 5-Series EcoSystem LED Driver

### Light Level Performance

3500K, 80 CRI, 0-10V Dimming (Standard)

Optics	Meta Cloud			Drop Lens		
	Lumens per foot	Wattage per foot	Efficacy (lm/W)	Lumens per foot	Wattage per foot	Efficacy (lm/W)
<b>L1</b>	320	3.5	92	339	3.5	98
<b>L2</b>	395	4.4	89	419	4.4	95
<b>L3</b>	527	6.1	87	559	6.1	93
<b>L4</b>	971	12.1	80	1030	12.1	85

### Lumen Adjustment Factor

Color Temp	80 CRI	90 CRI
3000K	0.984	0.880
3500K	1.000	0.875
4000K	1.032	0.879

Metalumen's light level performance metrics are subject to manufacturers component tolerances.

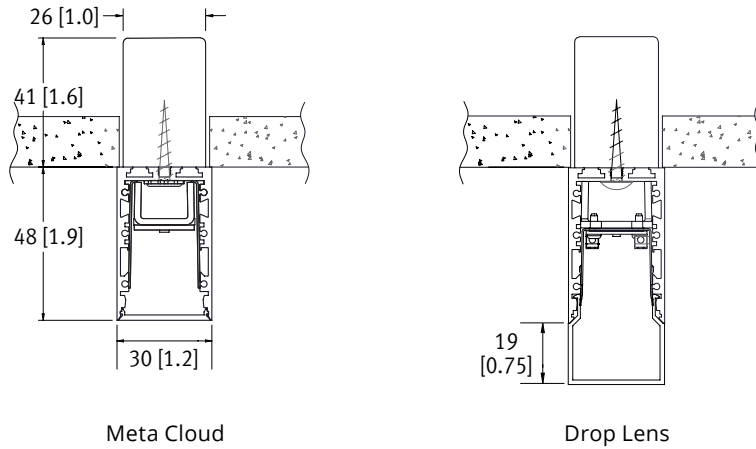
### Remote Driver Mounting Maximum Wire Length

Consult approval drawings for maximum remote mounting distances

Light Level	Driver Qty	Drive Current (mA)	Fixture Length	Distance in feet / Wire Gauge					
				22 Ga.	20 Ga.	18 Ga.	16 Ga.	14 Ga.	12 Ga.
L4	1	1200	4'	19	30	47	75	119	189
L4	2	1200	8'	19	30	47	75	119	189
L4	3	1200	12'	19	30	47	75	119	189
L3	1	600	4'	37	59	94	149	238	378
L3	1	1200	8'	19	30	47	75	119	189
L3	1	1800	12'	12	20	31	50	79	126
L2	1	440	4'	51	81	128	204	324	515
L2	1	880	8'	25	40	64	102	162	258
L2	1	1320	12'	17	27	43	68	108	172
L1	1	345	4'	65	103	163	260	413	657
L1	1	690	8'	32	51	82	130	207	329
L1	1	1035	12'	22	34	54	87	138	219



CROSS SECTIONS



SPECIFICATIONS

Due to the Continuous Improvement Policy at Metalumen, we reserve the right to change our specifications without notice.

**Housing:** Anodized Extruded Aluminum 65% post-industrial recycled content complete with die cast zinc alloy powder coated end caps.  
**Optical System:** Metalumen luminaires are designed to utilize leading edge LED technology combined with luminaire optimized reflectors and our custom diffusers, resulting in industry leading optical

performance.  
**CRI:** 83 (3500K) (80 minimum)  
**Lumen Maintenance:** Minimum 50,000h with TM-21 lumen maintenance of 85% @ 25°C ambient temperature (calculated based on IESNA LM-80-08 LED test data). L70: ≥60,000hrs.  
**Finish:** Satin Aluminum, white and black are standard options. For custom finish, contact factory.

**Weight:** 1.0lb/ft or 0.5kg/300mm.  
**Mounting:** Surface ceiling mount.  
**Electrical:** Each section is individually connected in the field to a remote driver box.  
**Drivers:** Metalumen offers 0-10V dimming\* as a standard on our entire LED product offering. Dimming range is 1%-100%. Power factor is > 90%. Class 2 rating. All drivers are remote mounted.

**Approvals:** Certified to NRTL and IES testing standards. All components are UL Recognized or Listed. RoHS compliant.  
**Environment:** Suitable for dry or damp locations.

*\*Standard drivers compatible with passive/sinking dimmers. Please contact Metalumen if active/sourcing dimmer support is required.*

WARRANTY

Metalumen will warrant defective luminaires for 5 years from date of purchase. Warranty is valid if luminaire is installed and used according to specification. If defective, Metalumen will send replacement boards or drivers at no cost along with detailed replacement instructions and instructions on how to return defective components to Metalumen.

PHOTOMETRIC DATA - 3500K, 80 CRI

Optics: **Meta Cloud**  
 IES File: **RML-1L35K-4-MC-L3**  
 Lumens: **527/ft** Wattage: **6/ft**  
 Efficacy: **87 lm/W**

ZONAL LUMEN SUMMARY

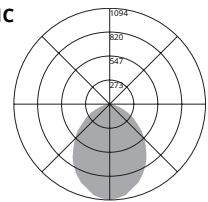
Zone	Lumens	%Fixt
0-90	2112	100
90-180	0	0
0-180	2112	100

LUMINANCE DATA (CD/M2)

Vertical Angle	Horizontal Angle		
	0	45	90
45	20944	8413	6170
55	17284	5707	3942
65	13923	3400	2161
75	9716	1538	930
85	4415	251	142

PHOTOMETRIC CURVE

100% Down



Optics: **Drop Lens**  
 IES File: **RM4DOD-1L35K-4-MA-L3**  
 Lumens: **636/ft** Wattage: **6.1/ft**  
 Efficacy: **105 lm/W**

ZONAL LUMEN SUMMARY

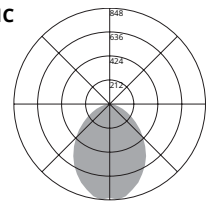
Zone	Lumens	%Fixt
0-90	2009	89.7
90-180	230	10.30
0-180	2239	100

LUMINANCE DATA (CD/M2)

Vertical Angle	Horizontal Angle		
	0	45	90
45	15161	6094	5128
55	12296	4645	3866
65	9702	3250	2823
75	6615	2194	1933
85	3866	1481	1333

PHOTOMETRIC CURVE

90% Down  
 10% Up



Photometric performance is measured and scaled in accordance with IESNA LM-79.