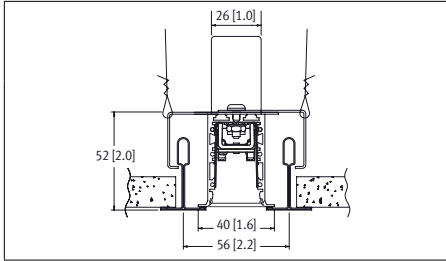


Rail 1 RML (Formerly Caledonia)

LED . Recessed T-Bar



CAT #:
PREP BY:
DATE:
PROJECT:
TYPE:
NOTES:



ORDERING LOGIC

Example Part Number: RML-1L35K-12-MC-W-L31-T-1-90

RML		Length		Pattern		Optics		Finish		LL/Driver		Circuitry		T		Voltage		Controls		Options								
Series	Color Temp	Length	Pattern	Up	Down	Finish	LL/Driver	Circuitry	Mounting	Voltage	Controls	Options																
Color Temp		Optics Up		Light Level (LL) / Driver		Circuitry		Controls																				
1L30K = 3000K	90 CRI is available under Options	= None (leave space empty)		Performance at 3500K 0-10V Dimming (Standard) All drivers remote mounted		1 = 1 Circuit		= None (leave space empty)																				
1L35K = 3500K		Optics Down		<table border="1"> <thead> <tr> <th>Optics</th> <th>Light Level</th> <th>Lumens Delivered</th> <th>Wattage</th> <th>Efficacy (LPW)</th> </tr> </thead> <tbody> <tr> <td>L1</td> <td>1280</td> <td>13.8</td> <td>92</td> </tr> <tr> <td>L2</td> <td>1578</td> <td>17.6</td> <td>89</td> </tr> <tr> <td>L3</td> <td>2108</td> <td>24.2</td> <td>87</td> </tr> <tr> <td>L4</td> <td>3882</td> <td>48.3</td> <td>80</td> </tr> </tbody> </table>		Optics	Light Level	Lumens Delivered	Wattage	Efficacy (LPW)	L1	1280	13.8	92	L2	1578	17.6	89	L3	2108	24.2	87	L4	3882	48.3	80	Options	
Optics		Light Level	Lumens Delivered	Wattage	Efficacy (LPW)																							
L1	1280	13.8	92																									
L2	1578	17.6	89																									
L3	2108	24.2	87																									
L4	3882	48.3	80																									
1L40K = 4000K	MC = Meta Cloud		Based on 4ft sections.		Mounting		90 = 90 CRI																					
Length		Pattern		Finish		<table border="1"> <thead> <tr> <th colspan="3">Lumen Adjustment Factor</th> </tr> <tr> <th>Color Temp</th> <th>80 CRI</th> <th>90 CRI</th> </tr> </thead> <tbody> <tr> <td>3000K</td> <td>0.984</td> <td>0.873</td> </tr> <tr> <td>3500K</td> <td>1.000</td> <td>0.875</td> </tr> <tr> <td>4000K</td> <td>1.032</td> <td>0.879</td> </tr> </tbody> </table>		Lumen Adjustment Factor			Color Temp	80 CRI	90 CRI	3000K	0.984	0.873	3500K	1.000	0.875	4000K	1.032	0.879	T = Recessed T-Bar 15/16" T9 = Recessed T-Bar 9/16"		= None (leave space empty)			
Lumen Adjustment Factor																												
Color Temp	80 CRI	90 CRI																										
3000K	0.984	0.873																										
3500K	1.000	0.875																										
4000K	1.032	0.879																										
2 = 2 ft	8 = 8 ft	G = Square / Rectangle	SA = Satin Aluminum		Voltage		1 = 120 V																					
4 = 4 ft	10 = 10 ft	U = U-Shape	W = White		2 = 277 V		3 = 347 V																					
6 = 6 ft	12 = 12 ft	L = L-Shape	C = Custom Finish Specify RAL#:		4 = UNV (120 - 277 V)		For other voltage, consult factory																					
R = Continuous Rows Consult factory		C = Custom Pattern*																										
C = Custom Lengths Consult factory		Enter pattern dimensions on page 2																										
= None (leave space empty)		= None (leave space empty)																										

* Consult factory for custom patterns, including X and T patterns.

SPECIFICATIONS

Due to the Continuous Improvement Policy at Metalumen, we reserve the right to change our specifications without notice.

Housing: Anodized Extruded Aluminum 65% post-industrial recycled content with a 20 Gauge steel die cast onboard hangers, complete with die cast zinc alloy powder coated end caps.

Optical System: Computer modeled, formed painted steel materials are utilized to provide wide, horizontal direct distribution.

CRI: 83 (3500K) (80 minimum)

Lumen Maintenance: At an ambient operating temperature of 35°C the LED lifetime expectancy =< 60 000hrs at L70.

Finish: Satin Aluminum and white are standard options. For custom finish, contact factory.

Weight: 1.0lb/ft or 0.5kg/300mm.

Mounting: Fits 9/16" and 15/16" T-Bars.

Drivers: Metalumen offers dimming drivers as a standard on our entire LED product

offering at 0-10V. Dimming is 10%-100% range Power factor is <90% with a Class 2 rating. All drivers remote mounted.

Lutron Driver Options: Consult factory for Lutron driver options:

- L3DAE Hi-lume 1% EcoSystem LED Driver
- L3DA3W Hi-lume 1% 3-wire LED Driver
- LTEA2W Hi-lume 1% 2-wire LED Driver
- LDE1 Hi-lume 1% -H EcoSystem LED Driver
- LDE5 5-Series EcoSystem LED Driver

Approvals: Certified to NRTL and IES testing standards. All components are UL Recognized or Listed. RoHS compliant.

Environment: Suitable for dry or damp indoor locations.

APPROVALS Signature _____

Date _____

FILE NAME: RML_T_SPEC_SHEET_20180717

570 Southgate Drive, Guelph, Ontario N1G 4P6
Mailing Address: P.O. Box 1779 Guelph, Ontario, N1H 6Z9

1.800.621.6785 | T 519.822.4381 | F 519.822.4589
www.metalumen.com

Metalumen


WARRANTY

Metalumen will warrant defective luminaires for 5 years from date of purchase. Warranty is valid if luminaire is installed and used according to specification. If defective, Metalumen will send replacement boards or drivers at no cost along with detailed replacement instructions and instructions on how to return defective components to Metalumen.


FEATURES

 **COMMERCIAL // Commercial Lighting** - With over 30 years of successful architectural lighting, providing unique concept and installation solutions has become second nature. Metalumen's Start to End Development Process results in unique performance, design and architectural requirements from concept through implementation. Metalumen's Lighting Solutions have been applied to customer projects requiring: high profile architectural installations; improved


energy efficiency; retrofit installations; unique installations. Metalumen can provide top-quality innovative fixtures when and where they are needed and, at the same time, allow the customer to determine their level of involvement in Metalumen's Start to End Development Process.

 **EDULUMEN // Educational Lighting** - Edulumen is a collection of premium luminaires that maximize both the functionality and performance of any


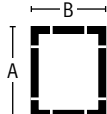
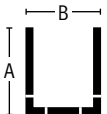
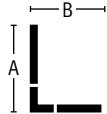
educational facility. Based on maximum efficiency, integration of controls and exceptional design, Edulumen will earn high marks for meeting your requirements. Students challenge themselves throughout the day to achieve, and Metalumen is dedicated to this by creating sustainable environments that foster enhanced educational experiences.

 **MEDILUMEN // Healthcare Lighting** Every product in our broad line of

healthcare luminaires has been strategically engineered to meet modern healthcare demands while addressing patient needs and aesthetic requirements.

 **DAMP** Suitable for dry or damp locations.

PATTERNS

Select Pattern	Square (G)	Rectangle (G)	U-Shape (U)	L-Shape (L)
Pattern Configuration				
Indicate Desired Lengths (ft)	A =	A = B =	A = B = C =	A = B =
Minimum Lengths	4' for all sides		A = 3', B = 4', C = 3'	A = 3', B = 3'

Record drawings will be sent out upon order showing mounting locations.

PHOTOMETRIC DATA - 3500K

Meta Cloud

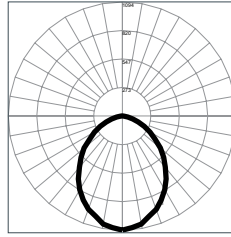
File Name: RML-1L35K-4-MC-L3
 Luminaire Lumens: 2108
 Total Watts: 24.2
 Efficacy: 87 lms/W

COEFFICIENTS OF UTILIZATION

Zonal Cavity Method | Effective Floor Cavity Reflectance = .20

RC RW	80				70				50			
	70	50	30	10	70	50	30	10	50	30	10	
0	119	119	119	119	116	116	116	116	111	111	111	
1	110	106	102	99	108	104	100	97	100	97	94	
2	101	94	88	83	99	92	87	82	89	84	80	
3	93	84	76	71	91	82	75	70	79	74	69	
4	86	75	67	61	84	74	66	61	71	65	60	
5	80	68	60	54	78	67	59	53	65	58	53	
6	74	62	53	47	72	61	53	47	59	52	47	
7	69	56	48	42	67	56	48	42	54	47	42	
8	65	52	44	38	63	51	44	38	50	43	38	
9	60	48	40	35	59	47	40	35	46	39	35	
10	57	44	37	32	56	44	37	32	43	36	32	

PHOTOMETRIC CURVE



LUMINANCE DATA (CD/M²)

Vertical Angle	Horizontal Angle		
	0	45	90
45	20944	8413	6170
55	17284	5707	3942
65	13923	3400	2161
75	9716	1538	930
85	4415	251	142

CANDELA DISTRIBUTION

Vertical Angle	Horizontal Angle				
	0	22.5	45	67.5	90
0	1093.56	1093.56	1093.56	1093.56	1093.56
5	1073.75	1072.5	1053.04	1048.58	1073.76
10	1052.87	1051.05	1030.63	1016.15	1012
15	992.33	991.9	985.01	955.83	937.07
20	950.71	929.92	893.99	868.22	870.58
25	886.96	859.88	822.78	782.09	764.22
30	814.97	784.78	740.08	692.76	673.11
35	735.91	700.05	645.9	594.7	583.57
40	640.54	619.64	553.2	506.18	496.77
45	560.26	530.37	469.9	430.17	415.27
50	476.81	444.78	389.8	353.3	335.93
55	381.23	362.17	318.26	283.23	272.11
60	306.71	282.55	247.82	219.4	209.51
65	232.4	214.21	183.6	158.25	148.41
70	163.26	151.24	128.01	108.46	104.24
75	105.13	95.36	77.79	64.86	61.6
80	54.75	49.36	37.19	32.11	29.44
85	20.4	17.14	11.47	8.87	8.77
90	4.44	2.24	1.03	.88	.85

ZONAL LUMEN SUMMARY

Zone	Lumens	%Fixt
0-20	374.28	17.70
0-30	752.82	35.60
0-40	1159.79	54.90
0-60	1819.67	86.10
0-80	2093.88	99.10
0-90	2112.37	100.00
10-90	2011.67	95.20
20-40	785.52	37.20
20-50	1155.79	54.70
40-70	846.76	40.10
60-80	274.21	13.00
70-80	87.33	4.10
80-90	18.49	0.90
90-110	0.00	0.00
90-120	0.00	0.00
90-130	0.00	0.00
90-150	0.00	0.00
90-180	0.00	0.00
110-180	0.00	0.00
0-180	2112.37	100.00