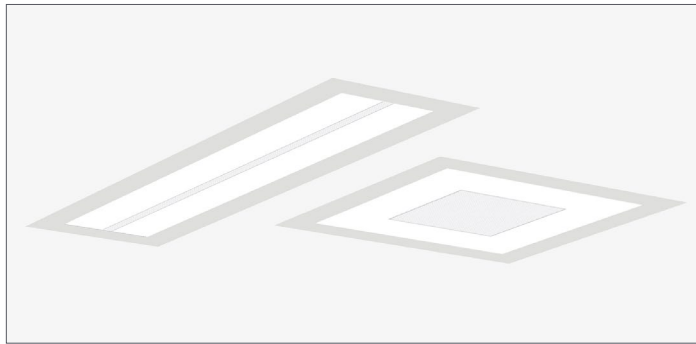
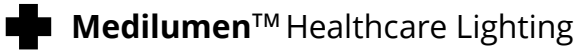


SCENE SCÉM

MEDICAL . LED . RECESSED . DIRECT



- Specification Grade Edgelit Light Guide Luminaire
- Efficacy up to 97 LPW
- Suitable for dry or damp locations
- Remote driver



| | |
|---------------------|--------------------|
| PART #: | |
| PREP BY: | DATE: |
| PROJECT: | QTY: |
| NOTES: | |
| APPROVAL SIGNATURE: | DATE (DD/MM/YYYY): |

| PERFORMANCE SUMMARY @ 3500K | | 2X2 | | | 1X4 | |
|-----------------------------|--------|--------------|---------|------|------|------|
| | | PQ | QQ / CC | SD | PS | SD |
| Light Level | | L1 | | | | |
| Lumens | 80 CRI | 2053 | 2042 | 2227 | 1905 | 2037 |
| Wattage | | 24 | 24 | 24 | 21 | 21 |
| Efficacy | 80 CRI | 86 | 85 | 93 | 91 | 97 |
| L70 Estimate (h) | | ≥ 60,000 hrs | | | | |

See page 2 for the complete Light Level Performance chart.

OTHER SCENE PRODUCTS



ORDERING LOGIC

Example Part Number: SCÉM-2L35K-22-QQ-AM-L31-D-1-NRF

| SCÉM | 1 | 2 | 3 | 4 | 5 | 6 | 7 | 8 | 9 | 10 | 11 | | | | | | | | | | | | | | | | | | | | | | | | | | | | | | | | | | | | | | | | | | | | | | |
|--|--|----------|---|---|--|----------|---|----------|---|----------|----------|----------|--|----------|----------|----------|---|--|--|--|---|--|--|-------|----|---------|----|-----------|------|------|------|-----------|------|------|------|-----------|------|------|------|-----------|------|------|------|-------|----|----|-----------|------|------|-----------|------|------|-----------|------|------|-----------|------|
| 1. SERIES SCÉM | 2. COLOR TEMP | | 3. CONFIGURATIONS | | 4. OPTICS | | 5. FINISH | | 6. LIGHT LEVEL / DRIVER | | | | | | | | | | | | | | | | | | | | | | | | | | | | | | | | | | | | | | | | | | | | | | | | |
| | 2L30K 3000K 2L35K 3500K 2L40K 4000K 2L50K 5000K | | Single / Alone Units 22 2x2 ft 14 1x4 ft 2x2' Configurations <table border="1"> <tr><td>B</td><td>E</td><td>H</td></tr> <tr><td>C</td><td>F</td><td>I</td></tr> <tr><td>D</td><td>G</td><td></td></tr> </table> 1x4' Configurations <table border="1"> <tr><td>J</td><td>K</td><td>L</td></tr> </table> M Custom configuration | | B | E | H | C | F | I | D | G | | J | K | L | 2x2' PQ Perforated Square QQ Square in Square CC Circle in Circle SD Standard Diffuser 1x4' PS Perforated Strip SD Standard Diffuser | | W White AM Antimicrobial White Paint C Custom Finish Specify RAL: | | 2x2' Optics Lumen Codes <table border="1"> <tr><th>CODE*</th><th>PQ</th><th>QQ / CC</th><th>SD</th></tr> <tr><td>L1</td><td>2053</td><td>2042</td><td>2227</td></tr> <tr><td>L2</td><td>2947</td><td>2816</td><td>3185</td></tr> <tr><td>L3</td><td>3316</td><td>3251</td><td>3581</td></tr> <tr><td>L4</td><td>3794</td><td>3852</td><td>4090</td></tr> </table> 1x4' Optics Lumen Codes <table border="1"> <tr><th>CODE*</th><th>PS</th><th>SD</th></tr> <tr><td>L1</td><td>1905</td><td>2037</td></tr> <tr><td>L2</td><td>3727</td><td>4068</td></tr> <tr><td>L3</td><td>5668</td><td>5814</td></tr> <tr><td>L4</td><td>6469</td><td>6522</td></tr> </table> | | | CODE* | PQ | QQ / CC | SD | L1 | 2053 | 2042 | 2227 | L2 | 2947 | 2816 | 3185 | L3 | 3316 | 3251 | 3581 | L4 | 3794 | 3852 | 4090 | CODE* | PS | SD | L1 | 1905 | 2037 | L2 | 3727 | 4068 | L3 | 5668 | 5814 | L4 | 6469 |
| B | E | H | | | | | | | | | | | | | | | | | | | | | | | | | | | | | | | | | | | | | | | | | | | | | | | | | | | | | | | |
| C | F | I | | | | | | | | | | | | | | | | | | | | | | | | | | | | | | | | | | | | | | | | | | | | | | | | | | | | | | | |
| D | G | | | | | | | | | | | | | | | | | | | | | | | | | | | | | | | | | | | | | | | | | | | | | | | | | | | | | | | | |
| J | K | L | | | | | | | | | | | | | | | | | | | | | | | | | | | | | | | | | | | | | | | | | | | | | | | | | | | | | | | |
| CODE* | PQ | QQ / CC | SD | | | | | | | | | | | | | | | | | | | | | | | | | | | | | | | | | | | | | | | | | | | | | | | | | | | | | | |
| L1 | 2053 | 2042 | 2227 | | | | | | | | | | | | | | | | | | | | | | | | | | | | | | | | | | | | | | | | | | | | | | | | | | | | | | |
| L2 | 2947 | 2816 | 3185 | | | | | | | | | | | | | | | | | | | | | | | | | | | | | | | | | | | | | | | | | | | | | | | | | | | | | | |
| L3 | 3316 | 3251 | 3581 | | | | | | | | | | | | | | | | | | | | | | | | | | | | | | | | | | | | | | | | | | | | | | | | | | | | | | |
| L4 | 3794 | 3852 | 4090 | | | | | | | | | | | | | | | | | | | | | | | | | | | | | | | | | | | | | | | | | | | | | | | | | | | | | | |
| CODE* | PS | SD | | | | | | | | | | | | | | | | | | | | | | | | | | | | | | | | | | | | | | | | | | | | | | | | | | | | | | | |
| L1 | 1905 | 2037 | | | | | | | | | | | | | | | | | | | | | | | | | | | | | | | | | | | | | | | | | | | | | | | | | | | | | | | |
| L2 | 3727 | 4068 | | | | | | | | | | | | | | | | | | | | | | | | | | | | | | | | | | | | | | | | | | | | | | | | | | | | | | | |
| L3 | 5668 | 5814 | | | | | | | | | | | | | | | | | | | | | | | | | | | | | | | | | | | | | | | | | | | | | | | | | | | | | | | |
| L4 | 6469 | 6522 | | | | | | | | | | | | | | | | | | | | | | | | | | | | | | | | | | | | | | | | | | | | | | | | | | | | | | | |
| | 90 CRI is available under OPTIONS | | See next page for configuration diagrams | | CUSTOM GRAPHIC Must be ordered through the SCENE PHOTO GRAPHICS Spec Sheet | | <p>*Please note Light Level Codes have been updated in accordance with UL certification standards.</p> Refer to the Light Level Performance chart on the next page for additional information. Select Driver below. | | | | | | | | | | | | | | | | | | | | | | | | | | | | | | | | | | | | | | | | | | | | | | | | | | |
| 7. CIRCUITRY | | | 8. MOUNTING | | 9. VOLTAGE | | 10. CONTROLS / SENSORS | | 11. OPTIONS | | | | | | | | | | | | | | | | | | | | | | | | | | | | | | | | | | | | | | | | | | | | | | | | |
| 1 1 Circuit EM Emergency / Night Light B Emergency Battery Pack | | | D Recessed Drywall T Recessed T-Bar | | 1 120V 2 277V 3 347V 4 UNV (120 - 277V) | | N None | | N None RF Medical Power Line Filter (Remote) | | | | | | | | | | | | | | | | | | | | | | | | | | | | | | | | | | | | | | | | | | | | | | | | |

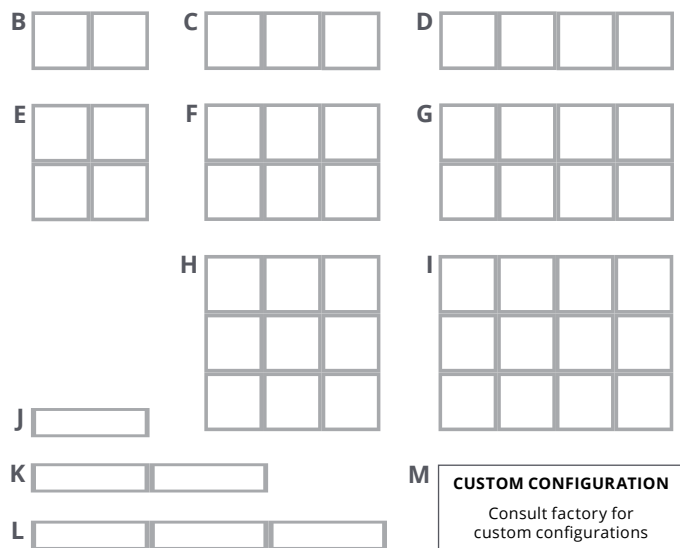
- Select Driver:
- Factory option 0-10V, 1% Dimming
 - D2** DALI
 - LHE** Lutron H-Series Hi-lume 1% EcoSystem LED Driver
 - L5E** Lutron 5-Series EcoSystem LED Driver

Light Level Performance | 3500K, 80 CRI, 0-10V Dimming (Standard)

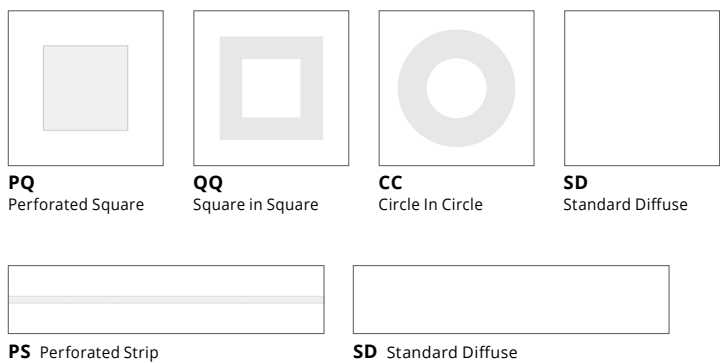
| 2x2 | | | | | | | | | | | | 1x4 | | | | | | Lumen Adjustment Factor | | | | |
|-------------|------------------------|---------|----------------|-----------------------|---------|----------------|-----------------------|---------|----------------|-----------------------|---------|----------------|-------------|-----------------------|---------|----------------|-----------------------|-------------------------|----------------|------------|--------|--------|
| Optics | Perforated Square (PQ) | | | Square in Square (QQ) | | | Circle in Circle (CC) | | | Standard Diffuse (SD) | | | Optics | Perforated Strip (PS) | | | Standard Diffuse (SD) | | | Color Temp | 80 CRI | 90 CRI |
| Light Level | Lumens | Wattage | Efficacy (LPW) | Lumens | Wattage | Efficacy (LPW) | Lumens | Wattage | Efficacy (LPW) | Lumens | Wattage | Efficacy (LPW) | Light Level | Lumens | Wattage | Efficacy (LPW) | Lumens | Wattage | Efficacy (LPW) | | | |
| L1 | 2053 | 24 | 86 | 2042 | 24 | 85 | 2042 | 24 | 85 | 2227 | 24 | 93 | L1 | 1905 | 21 | 91 | 2037 | 21 | 97 | 3000K | 0.984 | 0.880 |
| L2 | 2947 | 37 | 80 | 2816 | 37 | 76 | 2816 | 37 | 76 | 3185 | 37 | 86 | L2 | 3727 | 48 | 78 | 4068 | 48 | 85 | 3500K | 1.000 | 0.875 |
| L3 | 3316 | 43 | 77 | 3251 | 43 | 76 | 3251 | 43 | 76 | 3581 | 43 | 83 | L3 | 5668 | 74 | 77 | 5814 | 74 | 79 | 4000K | 1.032 | 0.879 |
| L4 | 3794 | 51 | 74 | 3852 | 51 | 76 | 3846 | 51 | 75 | 4090 | 51 | 80 | L4 | 6469 | 85 | 76 | 6522 | 85 | 77 | 5000K | 1.032 | 0.879 |

Metalumen's light level performance metrics are subject to manufacturers component tolerances.

CONFIGURATIONS



STANDARD OPTICS



To clean the optics:

Gently wipe down the optics with a clean, dry cloth to remove any dust and light residues. For heavier smudges, spray clean cloth with mild soap and water solution and gently wipe optics surface. **Warning:** Hard wiping and abrasive cloths will scratch the optics. **Do not use** cleaning products containing alcohol or acetone which will damage the optics.

SPECIFICATIONS

Due to the Continuous Improvement Policy at Metalumen, we reserve the right to change our specifications without notice.

Housing: Luminaire body is constructed with 22 gauge cold rolled steel and 20 gauge aluminum, and welded seams.
Optical System: The light emitted from the mid-flux LEDs is channeled inside Metalumen's AccuRay® optical plane where a precisely controlled micro dot matrix pattern directs, shapes and distributes the light throughout the material. A high performance optical reflector and diffuser further guide and extract the light with superb efficiency and beam control. Standard optics available. Custom graphics must be ordered

through the SCENE PHOTO GRAPHICS Spec Sheet.
CRI: 83+ (3500K) (80 minimum) Consult factory for 90+ CRI.
Lumen Maintenance: At an ambient operating temperature of 25°C the LED lifetime expectancy ≥ 60 000hrs at L70.
Finish: The luminaire housing and associated parts are finished in highly reflective, matte powder coat white paint (91% reflectance) or antimicrobial white paint. For custom finish, consult factory.
Mounting: Suitable for 9/16" and 15/16" T-Bars. Mounting brackets/clips provided.

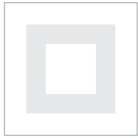
Drivers: Metalumen offers dimming* drivers as a standard on our entire LED product offering at 0-10V. Dimming range is 1%-100%. Power factor is > 90%. Class 2 rating. One driver box per luminaire is provided.
RFI Filter: The noise suppression filter provides exceptional suppression of broadband, common mode, and differential mode noise across a wide frequency range, ensuring stable, interference-free power converter operation. Effective above 30kHz, it adapts dynamically to operational conditions, reducing harmonics and mitigating high-frequency parasitics

for optimal performance. When installed, the RFI filter is placed inside a remote driver box.
Approvals: Certified to NRTL safety and IES Recommended testing standards. All components are UL/CSA/QPS recognized or listed, RoHS, LM79, LM80 and LM82 compliant. This product is cULus listed and retains the listing with the remote battery pack. Plenum - CCEA Approved.
Environment: Suitable for dry or damp locations.
**Standard drivers compatible with passive/sinking dimmers. Please contact Metalumen if active/sourcing dimmer support is required.*

WARRANTY

Metalumen will warrant defective luminaires for 5 years from date of purchase. Warranty is valid if luminaire is installed and used according to specification. If defective, Metalumen will send replacement boards or drivers at no cost along with detailed replacement instructions and instructions on how to return defective components to Metalumen.

PHOTOMETRIC DATA - 3500K, 80 CRI



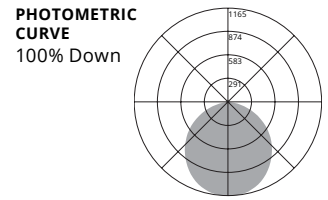
Optics: **Square in Square**
 IES File: **SCE-2L35K-22-QQ-L3**
 Lumens: **3251** Wattage: **43**
 Efficacy: **76 LPW**

ZONAL LUMEN SUMMARY

| Zone | Lumens | %Fixt |
|--------|--------|-------|
| 0-90 | 3251 | 100 |
| 90-180 | 0 | 0 |
| 0-180 | 3251 | 100 |

LUMINANCE DATA (CD/M2)

| Vertical Angle | Horizontal Angle | | |
|----------------|------------------|------|------|
| | 0 | 45 | 90 |
| 45 | 3736 | 3736 | 3736 |
| 55 | 3571 | 3571 | 3571 |
| 65 | 3294 | 3294 | 3294 |
| 75 | 2750 | 2750 | 2750 |
| 85 | 1553 | 1553 | 1553 |



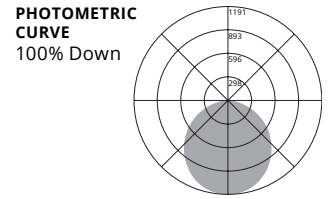
Optics: **Circle in Circle**
 IES File: **SCE-2L35K-22-CC-L3**
 Lumens: **3251** Wattage: **43**
 Efficacy: **76 LPW**

ZONAL LUMEN SUMMARY

| Zone | Lumens | %Fixt |
|--------|--------|-------|
| 0-90 | 3316 | 100 |
| 90-180 | 0 | 0 |
| 0-180 | 3316 | 100 |

LUMINANCE DATA (CD/M2)

| Vertical Angle | Horizontal Angle | | |
|----------------|------------------|------|------|
| | 0 | 45 | 90 |
| 45 | 3834 | 3834 | 3834 |
| 55 | 3674 | 3674 | 3674 |
| 65 | 3376 | 3376 | 3376 |
| 75 | 2736 | 2736 | 2736 |
| 85 | 1195 | 1195 | 1195 |



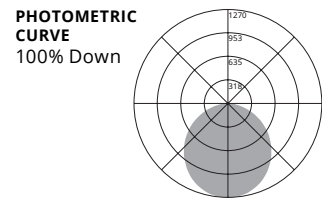
Optics: **Perforated Square**
 IES File: **SCE-2L35K-22-PQ-L3**
 Lumens: **3316** Wattage: **43**
 Efficacy: **77 LPW**

ZONAL LUMEN SUMMARY

| Zone | Lumens | %Fixt |
|--------|--------|-------|
| 0-90 | 3581 | 100 |
| 90-180 | 0 | 0 |
| 0-180 | 3581 | 100 |

LUMINANCE DATA (CD/M2)

| Vertical Angle | Horizontal Angle | | |
|----------------|------------------|------|------|
| | 0 | 45 | 90 |
| 45 | 4039 | 4053 | 4068 |
| 55 | 3872 | 3890 | 3908 |
| 65 | 3590 | 3606 | 3639 |
| 75 | 3050 | 3090 | 3117 |
| 85 | 1969 | 1969 | 2009 |



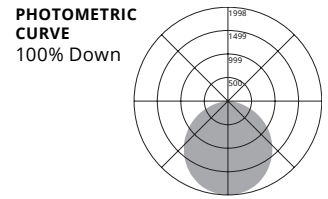
Optics: **Standard Diffuse**
 IES File: **SCE-2L35K-22-SD-L3**
 Lumens: **3581** Wattage: **43**
 Efficacy: **83 LPW**

ZONAL LUMEN SUMMARY

| Zone | Lumens | %Fixt |
|--------|--------|-------|
| 0-90 | 5668 | 100 |
| 90-180 | 0 | 0 |
| 0-180 | 5668 | 100 |

LUMINANCE DATA (CD/M2)

| Vertical Angle | Horizontal Angle | | |
|----------------|------------------|------|------|
| | 0 | 45 | 90 |
| 45 | 6999 | 6999 | 6999 |
| 55 | 6743 | 6743 | 6743 |
| 65 | 6274 | 6274 | 6274 |
| 75 | 5303 | 5303 | 5303 |
| 85 | 3209 | 3209 | 3209 |



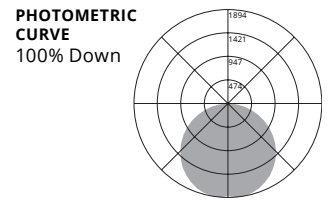
Optics: **Perforated Strip**
 IES File: **SCE-2L35K-14-PS-L3**
 Lumens: **5668** Wattage: **74**
 Efficacy: **77 LPW**

ZONAL LUMEN SUMMARY

| Zone | Lumens | %Fixt |
|--------|--------|-------|
| 0-90 | 5814 | 100 |
| 90-180 | 0 | 0 |
| 0-180 | 5814 | 100 |

LUMINANCE DATA (CD/M2)

| Vertical Angle | Horizontal Angle | | |
|----------------|------------------|------|------|
| | 0 | 45 | 90 |
| 45 | 5180 | 5121 | 4912 |
| 55 | 5142 | 5039 | 4731 |
| 65 | 5084 | 4880 | 4392 |
| 75 | 5005 | 4562 | 3705 |
| 85 | 5614 | 4289 | 2132 |

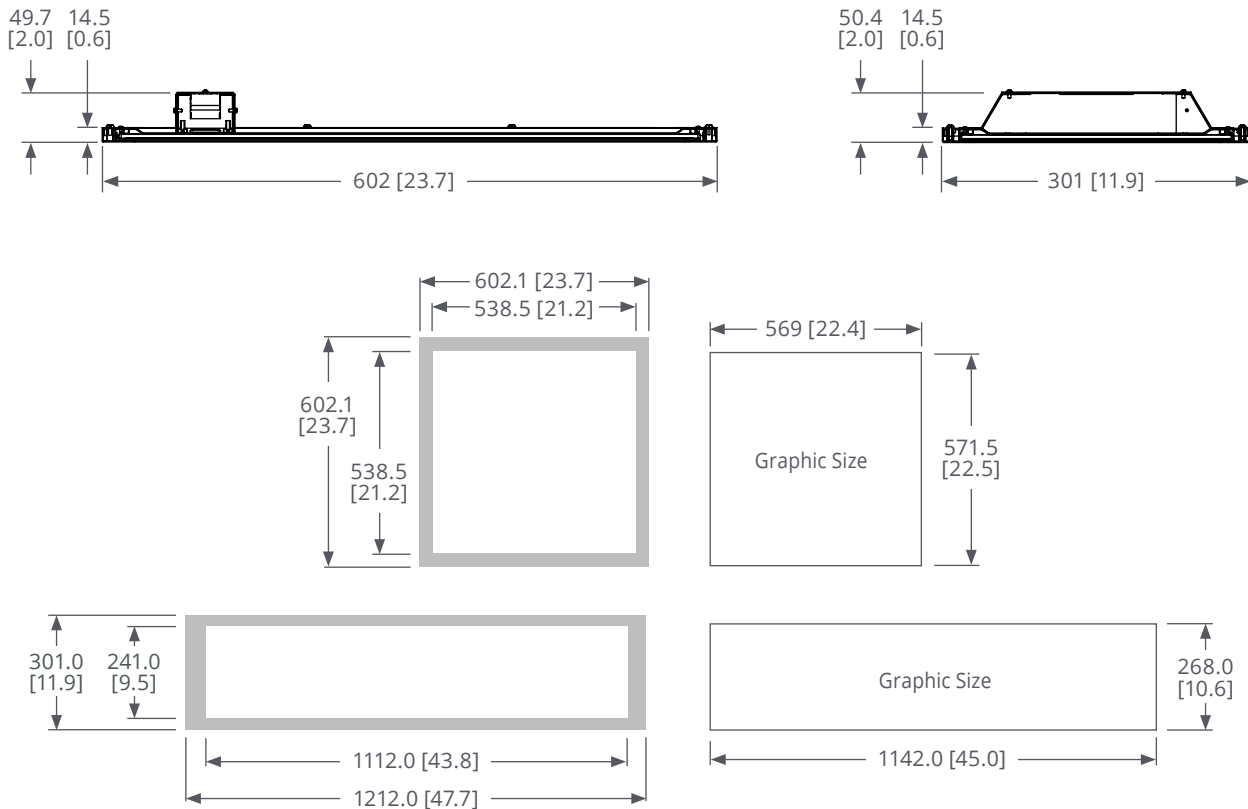


Optics: **Standard Diffuse**
 IES File: **SCE-2L35K-14-SD-L3**
 Lumens: **5814** Wattage: **74**
 Efficacy: **79 LPW**

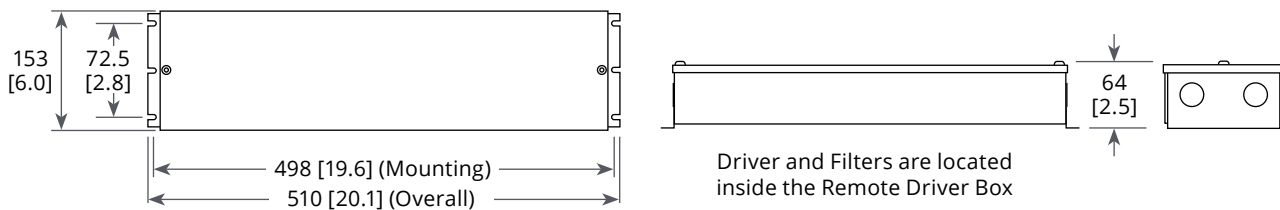
Photometric performance is measured and scaled in accordance with IESNA LM-79.

DIMENSIONS

Product Body and Lens



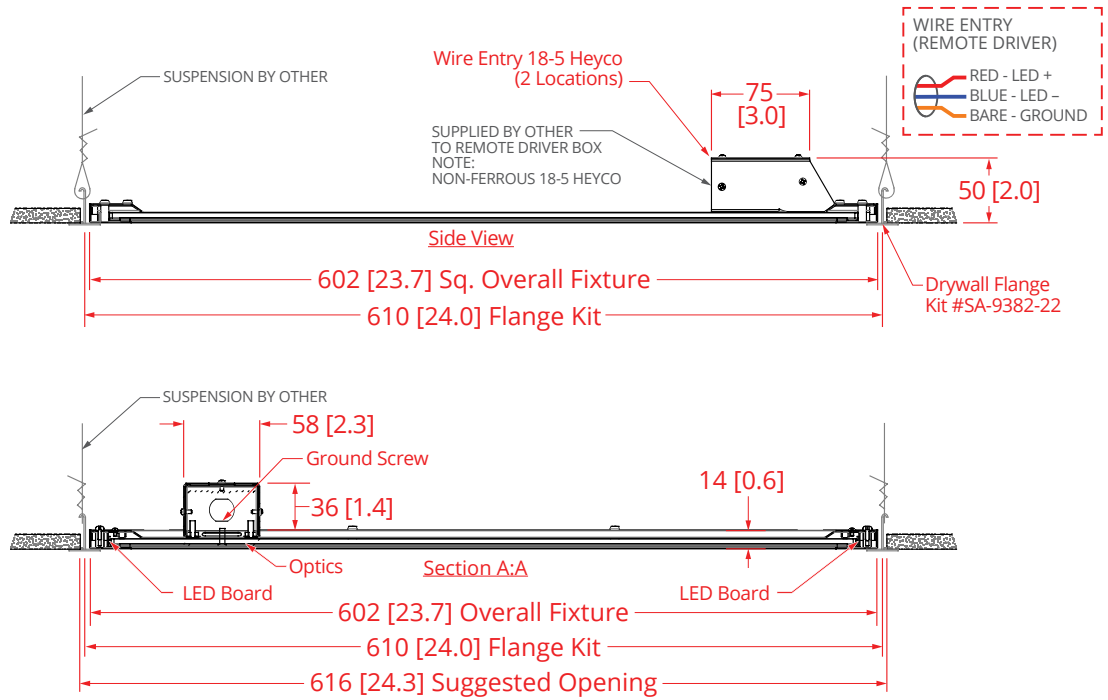
Remote Driver Box



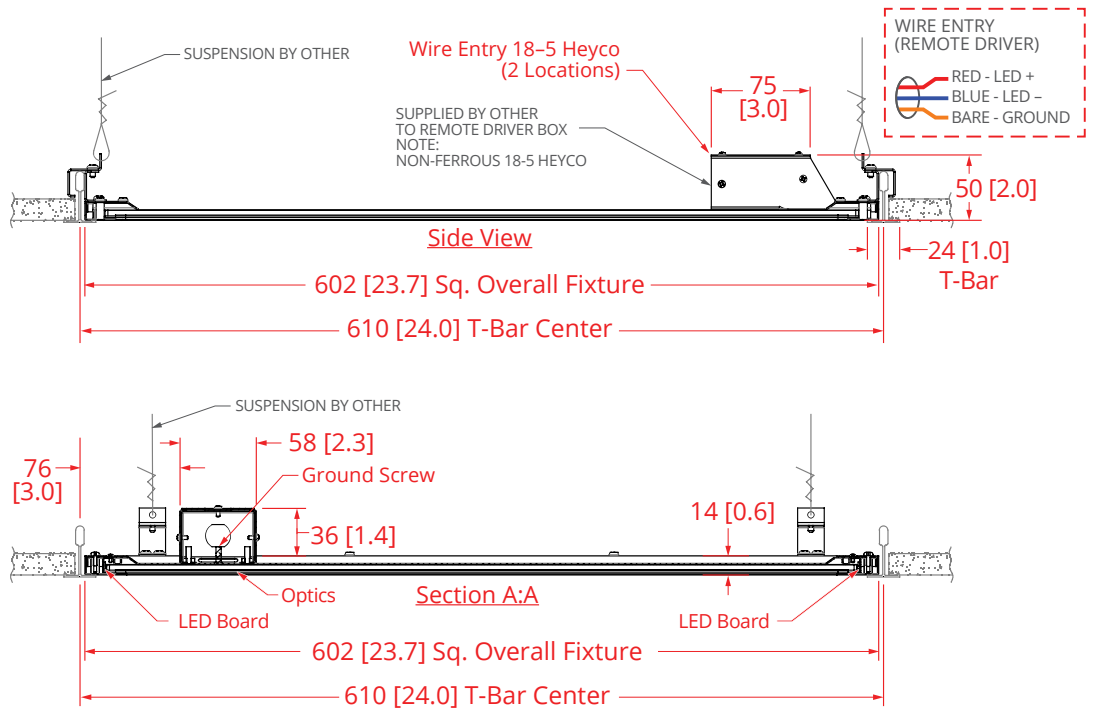
| Remote Driver Mounting Maximum Wire Length | | | | | | | | | |
|--|-------------|---------------------|----------------|-------------------------------|--------|--------|--------|--------|--------|
| Light Level | Driver Qty. | Driver Current (mA) | Fixture Length | Distance in feet / Wire Gauge | | | | | |
| | | | | 22 Ga. | 20 Ga. | 18 Ga. | 16 Ga. | 14 Ga. | 12 Ga. |
| L1 | 1 | 700 | 2x2 | 13 | 42 | 67 | 107 | 170 | 280 |
| L2 | 1 | 1050 | 2x2 | 8 | 28 | 45 | 71 | 113 | 180 |
| L3 | 1 | 1200 | 2x2 | 7 | 25 | 39 | 62 | 99 | 157 |
| L4 | 1 | 1400 | 2x2 | 6 | 21 | 34 | 53 | 85 | 135 |

CROSS SECTIONS | 2x2

Recessed Drywall

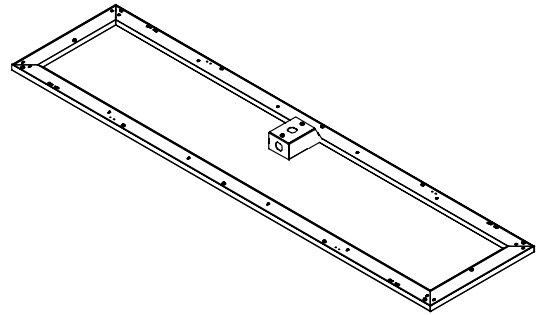
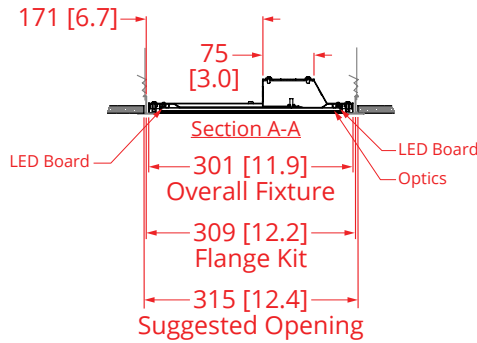
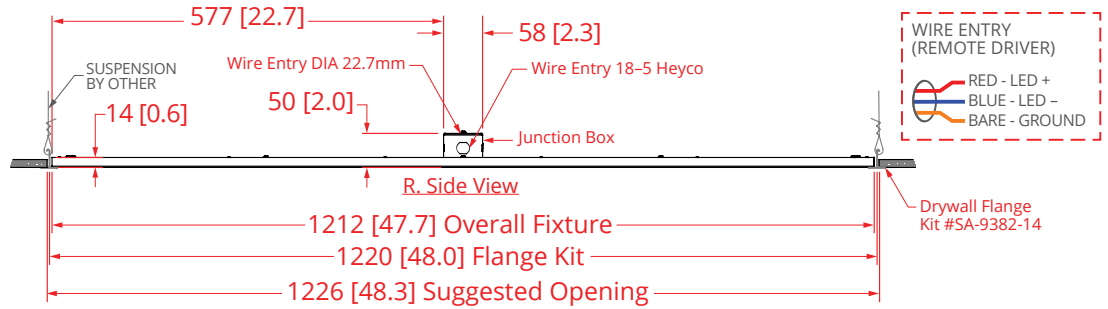


Recessed T-Bar



CROSS SECTIONS | 1x4

Recessed Drywall



Recessed T-Bar

