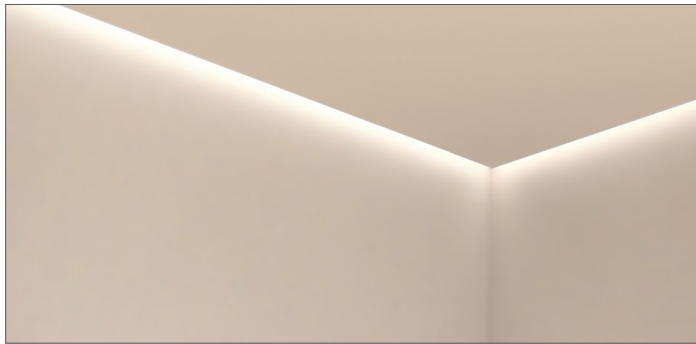


# RAIL 4 RP4D TELESCOPIC

## LED . RECESSED PERIMETER . DIRECT



- Architectural perimeter application
- Available in both flush and 3" regressed
- 0-10V standard dimming
- Continuous runs and 90 degree corners available
- Each specified run includes a telescopic section that adds up to 12 inches



PART #:	
PREP BY:	DATE:
PROJECT:	QTY:
NOTES:	
APPROVAL SIGNATURE:	DATE (DD/MM/YYYY):

### PERFORMANCE SUMMARY @ 3500K

		Meta Blanc	Meta Asymmetric
		L3	L3
Lumens per foot	80 CRI	596	583
	90 CRI	522	510
Wattage per foot		6.1	6.1
Efficacy (lm/W)	80 CRI	99	96
	90 CRI	86	84
L70 Estimate (h)		≥ 60,000 hrs	

See page 2 for the complete Light Level Performance chart.

Part number examples for an 8 ft section with and without a Telescopic section



## ORDERING LOGIC

RP4D										
1	2	3	4	5	6	7	8	9	10	11
<b>1. SERIES</b> RP4D	<b>2. COLOR TEMP</b> 1L30K 3000K 1L35K 3500K 1L40K 4000K	<b>3. LENGTH**</b> XX Total Length (in ft) Minimum length of 2 ft. - None (leave space empty)	<b>4. PATTERN¹</b> GA Square GAxB Rectangle UAxBxC U-Shape LAxB L-Shape C Custom Pattern* - None (leave space empty)	<b>5. OPTICS</b> MB Meta Blanc MA Meta Asymmetric		<b>6. FINISH</b> W White C Custom Finish Specify RAL:		<b>7. LIGHT LEVEL / DRIVER</b> L1 Select Driver below. L2 See Light Level Performance chart on p2. L3 L4		
90 CRI is available under OPTIONS		Each specified run includes a telescopic section.	<b>Standard Patterns</b> - drawing of pattern configuration is required on page 3.			<b>Meta Blanc:</b> Opal diffuse lens  <b>Meta Asymmetric:</b> High output semidiffuse lens		Select corner: 		
<b>8. CIRCUITRY</b> 1 1 Circuit EM Emergency / Night Light* B Emergency Battery Pack*			<b>9. MOUNTING</b> T Recessed T-Bar Flush T3 Recessed T-Bar Regressed 3" D Recessed Drywall Flange Flush D3 Recessed Drywall Flange Regressed 3" K Drywall Spackle Flange K3 Drywall Spackle Flange Regressed 3"			<b>10. VOLTAGE</b> 1 120 V 2 277 V 3 347 V 4 UNV (120 - 277V)		<b>11. OPTIONS</b> 90 90 CRI, High R9 P Plenum SL Standard Lengths Only (No Telescopic Sections) - None (leave space empty)		

\*Consult factory. |\*\*Certain lengths may include up to 2 telescopic sections. | ¹ Pattern record drawings will be sent out upon order.

- Select Driver:
- Factory option 1% dimming (Standard)
  - LHE Lutron H-Series Hi-lume 1% EcoSystem LED Driver\*
  - LSE Lutron 5-Series EcoSystem LED Driver\*

### Light Level Performance

3500K, 80 CRI, 0-10V Dimming (Standard)

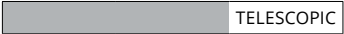
Optics	Meta Blanc			Meta Asymmetric		
	Lumens per foot	Wattage per foot	Efficacy (LPW)	Lumens per foot	Wattage per foot	Efficacy (LPW)
L1	350	3.5	100	343	3.5	98
L2	439	4.4	99	429	4.4	97
L3	596	6.1	99	583	6.1	96
L4	1106	12.5	89	1081	12.5	87

### Lumen Adjustment Factor

Color Temp	80 CRI	90 CRI
3000K	0.984	0.880
3500K	1.000	0.875
4000K	1.032	0.879


## TELESCOPIC SECTION LENGTHS

← 2 ft → × 12" →

TL2+1  TELESOPIC

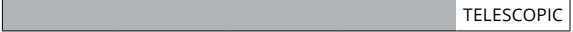
Min 2ft nom. Max 3ft nom. Telescopic section can be adjusted from 0 to 12". Only one end can be extended.

← 3 ft → × 12" →

TL3+1  TELESOPIC

Min 3ft nom. Max 4ft nom. Telescopic section can be adjusted from 0 to 12". Only one end can be extended.

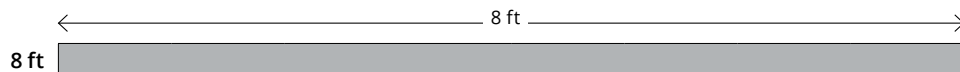
← 4 ft → × 12" →

TL4+1  TELESOPIC

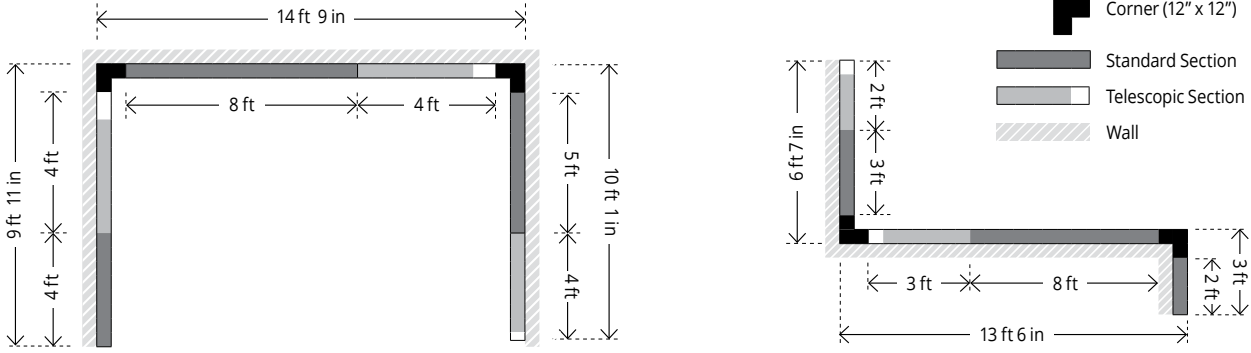
Min 4ft nom. Max 5ft nom. Telescopic section can be adjusted from 0 to 12". Only one end can be extended.

## STANDARD SECTION LENGTHS

Standard 2', 3', 4', 5', 8', 10', 12' and inside/outside corners can be combined to make continuous rows or patterns.



**PATTERN CONFIGURATION EXAMPLES**



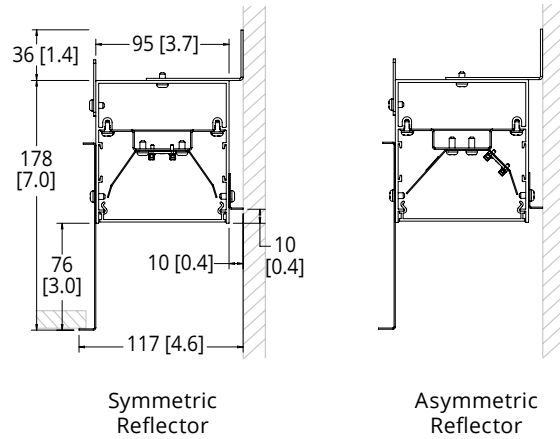
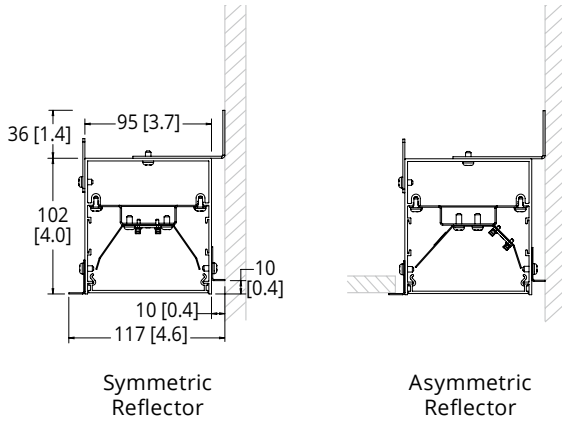
**PATTERNS** - A pattern configuration drawing is required in the grid below.



WIRING

Standard Wiring	Emergency Wiring	Emergency Battery Pack Wiring

CROSS SECTIONS



Flush

Regressed 3"

CONTRACTOR NOTES:	
Wall must be finished at least 6" above the ceiling height before flush fixture is mounted.	Finish the ceiling by mudding over the metal RP4D flange.

CONTRACTOR NOTES:	
Wall must be finished at least 6" above the ceiling height before flush fixture is mounted.	Finish the ceiling by mudding over the metal RP4D flange.

SPECIFICATIONS

Due to the Continuous Improvement Policy at Metalumen, we reserve the right to change our specifications without notice.

**Housing:** Rigid extruded aluminum body, 2.0mm (0.08") nominal wall thickness. 95mm (3.7") wide x 102mm (4.0") high, not including height of Fascia (add up to 4"). Steel reflectors and aluminum end caps. Telescopic portions can be quickly and easily cut to length in the field.  
**Optical System:** Metalumen luminaires are designed to utilize leading edge LED technology

combined with luminaire optimized reflectors and our custom diffusers, resulting in industry leading optical performance.  
**CRI:** Minimum 80 CRI. 90 CRI is available as an option for superior colour rendering capability.  
**Lumen Maintenance:** Minimum 50,000h with TM-21 lumen maintenance of 85% @ 24°C ambient temperature (calculated based on

IESNA LM-80-08 LED test data). L70: ≥ 60,000hrs.  
**Finish:** Standard white finish. For custom finish, contact factory.  
**Weight:** See RP4D Weights chart below.  
**Mounting:** Suitable for 9/16" and 15/16" T-Bar.  
**Electrical:** Fixtures are all factory pre-wired for easy connection and installation. Integral driver configuration is factory pre-wired and

includes wire quick connectors.  
**Drivers:** Metalumen offers 0-10V dimming as a standard on our entire LED product offering. Dimming range is 1%-100%. Power factor is > 90%. Class 2 rating.  
**Approvals:** This product is cULus listed. Plenum - CCEA approved.  
**Environment:** Suitable for dry locations.

RP4D WEIGHTS for 4' ALONE SECTIONS	Meta Blanc (Symmetric)		Meta Asymmetric
	Flush	5.30 kg [11.7 lbs]	5.27 kg [11.6 lbs]
	3" Regressed	6.55 kg [14.4 lbs]	6.52 kg [14.3 lbs]

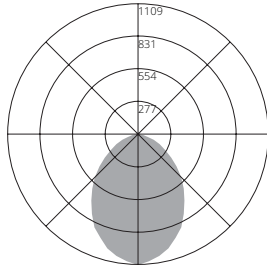
WARRANTY

Metalumen will warrant defective luminaires for 5 years from date of purchase. Warranty is valid if luminaire is installed and used according to specification. If defective, Metalumen will send replacement boards or drivers at no cost along with detailed replacement instructions and instructions on how to return defective components to Metalumen.

PHOTOMETRIC DATA - 3500K, 80 CRI

Optics: **Meta Blanc**  
 IES File: **RP4D-1L35K-4-MB-L3**  
 Lumens: **596/ft** Wattage: **6.1/ft**  
 Efficacy: **99**

PHOTOMETRIC CURVE  
 100% Down



ZONAL LUMEN SUMMARY

Zone	Lumens	%Fixt
0-20	385	16.2
0-30	794	33.3
0-40	1250	52.4
0-60	2021	84.8
0-80	2358	98.9
0-90	2385	100
10-90	2282	95.7
20-40	865	36.3
20-50	1293	54.2
40-70	998	41.8
60-80	336	14.1
70-80	110	4.6
80-90	27	1.1
90-110	0	0
90-120	0	0
90-130	0	0
90-150	0	0
90-180	0	0
110-180	0	0
0-180	2385	100

COEFFICIENTS OF UTILIZATION

Zonal Cavity Method | Effective Floor Cavity Reflectance = .20

RC	80			70			50				
	70	50	30	10	70	50	30	10	50	30	10
RW	70	50	30	10	70	50	30	10	50	30	10
RCR											
0	119	119	119	119	116	116	116	116	111	111	111
1	110	106	102	98	107	103	100	97	99	96	94
2	101	93	87	82	98	91	86	81	88	83	79
3	93	83	75	69	90	81	74	69	78	72	67
4	85	74	66	60	83	73	65	59	70	64	58
5	79	67	58	52	77	66	58	52	63	56	51
6	73	60	52	46	71	59	51	46	58	51	45
7	68	55	47	41	66	54	46	41	53	46	40
8	63	50	42	37	62	50	42	37	49	41	36
9	59	47	39	33	58	46	38	33	45	38	33
10	56	43	35	30	55	43	35	30	42	35	30

CANDELA DISTRIBUTION

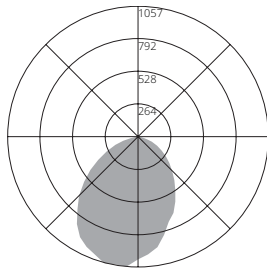
Vertical Angle	Horizontal Angle			
	0	22.5	45	67.5 90
0	1109	1109	1109	1109 1109
5	1080	1064	1081	1077 1104
10	1048	1047	1046	1064 1054
15	1001	996	1008	1000 1018
20	933	950	951	962 958
25	871	875	893	899 910
30	778	798	812	829 843
35	689	708	732	753 763
40	604	621	642	669 686
45	520	529	556	584 595
50	427	438	464	492 505
55	345	358	384	407 420
60	268	280	299	325 338
65	202	206	226	247 254
70	141	145	159	174 181
75	87	92	100	111 116
80	46	49	54	58 61
85	17	19	20	22 24
90	4	4	4	5 6

LUMINANCE DATA (CD/M²)

Vertical Angle	Horizontal Angle		
	0	45	90
45	3031	3697	6600
55	2032	2640	5558
65	1243	1663	4329
75	573	817	2902
85	129	191	1182

Optics: **Meta Asymmetric**  
 IES File: **RP4D-1L35K-4-MA-L3**  
 Lumens: **583/ft** Wattage: **6.1/ft**  
 Efficacy: **96**

PHOTOMETRIC CURVE  
 100% Down



ZONAL LUMEN SUMMARY

Zone	Lumens	%Fixt
0-20	357	15.30
0-30	742	31.8
0-40	1183	50.7
0-60	1955	84
0-80	2306	99
0-90	2334	100
10-90	2240	96
20-40	826	35
20-50	1250	54
40-70	1006	43
60-80	351	15
70-80	116	5
80-90	28	1
90-110	1	0
90-120	1	0
90-130	1	0
90-150	1	0
90-180	1	0
110-180	0	0
0-180	2335	100

COEFFICIENTS OF UTILIZATION

Zonal Cavity Method | Effective Floor Cavity Reflectance = .20

RC	80			70			50				
	70	50	30	10	70	50	30	10	50	30	10
RW	70	50	30	10	70	50	30	10	50	30	10
RCR											
0	119	119	119	119	116	116	116	116	111	111	111
1	110	105	101	98	107	103	99	96	99	96	93
2	100	93	86	81	98	91	85	80	87	82	78
3	92	82	74	68	90	81	73	68	78	72	66
4	85	73	65	59	82	72	64	58	69	63	57
5	78	66	57	51	76	65	57	51	63	56	50
6	72	60	51	45	70	59	50	45	57	50	44
7	67	54	46	40	66	53	45	40	52	45	39
8	63	50	41	36	61	49	41	36	48	41	35
9	59	46	38	32	57	45	37	32	44	37	32
10	55	42	35	29	54	42	34	29	41	34	29

CANDELA DISTRIBUTION

Vertical Angle	Horizontal Angle			
	0	22.5	45	67.5 90
0	991	991	991	991 991
5	954	927	952	974 999
10	905	903	920	936 966
15	820	818	851	895 933
20	730	758	796	843 893
25	678	684	710	767 844
30	605	618	660	707 785
35	529	539	580	644 718
40	460	468	507	571 648
45	392	403	437	498 563
50	331	346	376	416 482
55	275	283	303	353 403
60	220	226	246	278 322
65	172	178	188	215 247
70	119	123	133	155 177
75	80	83	86	101 115
80	46	47	49	54 60
85	20	19	19	22 24
90	3	3	2	3 3

LUMINANCE DATA (CD/M²)

Vertical Angle	Horizontal Angle		
	0	45	90
45	2285	2902	6249
55	1623	2084	5339
65	1056	1383	4212
75	531	705	2871
85	152	185	1202

Photometric performance is measured and scaled in accordance with IESNA LM-79.