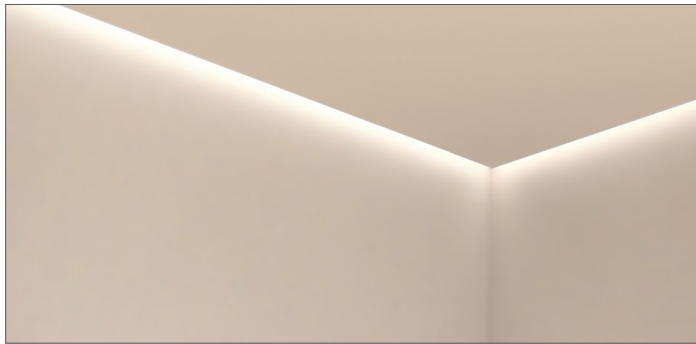


RAIL 4 RP4D TELESCOPIC RECESSED PERIMETER . DIRECT



- Architectural perimeter application
- Available in both flush and 3" regressed
- 0-10V standard dimming
- Continuous runs and 90 degree corners available
- Each specified run includes a telescopic section that adds up to 12 inches



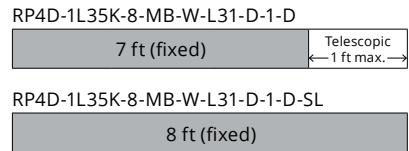
PART #:		DATE:	
PREP BY:		QTY:	
PROJECT:		NOTES:	
APPROVAL SIGNATURE:		DATE (DD/MM/YYYY):	

PERFORMANCE SUMMARY @ 3500K

		Luma Asymmetric	
		Towards Wall	Away from Wall
		L3	L3
Lumens per foot	80 CRI	596	557
	90 CRI	522	487
Wattage per foot		6.1	5.8
Efficacy (lm/W)	80 CRI	99	97
	90 CRI	86	84
L70 Estimate (h)		≥ 60,000 hrs	

See page 2 for the complete Light Level Performance chart.

Part number examples for an 8 ft section with and without a Telescopic section



ORDERING LOGIC

1. SERIES	2. COLOR TEMP	3. LENGTH**	4. PATTERN ¹	5. OPTICS	6. FINISH	7. LIGHT LEVEL / DRIVER
RP4D	1L30K 3000K 1L35K 3500K 1L40K 4000K	XX Total Length (in ft) Minimum length of 2 ft. - None (leave space empty)	GA Square GAxB Rectangle UAxBxC U-Shape LAxB L-Shape C Custom Pattern* - None (leave space empty)	MB Meta Blanc LA Luma Asymmetric Select throw direction: <input type="checkbox"/> Towards wall <input type="checkbox"/> Away from wall	W White C Custom Finish Specify RAL:	L1 Select Driver below. L2 See Light Level Performance chart on p2. L3 L4 LX Enter desired lm/ft:
	90 CRI is available under OPTIONS	Each specified run includes a telescopic section.	Standard Patterns - drawing of pattern configuration is required on page 3. Select corner: 	MB: Opal diffuse lens LA: High output semidiffuse lens		
8. CIRCUITRY	9. MOUNTING	10. VOLTAGE	11. OPTIONS			
1 1 Circuit EM Emergency / Night Light* B Emergency Battery Pack*	T Recessed T-Bar Flush T3 Recessed T-Bar Regressed 3" D Recessed Drywall Flange Flush D3 Recessed Drywall Flange Regressed 3" K Drywall Spackle Flange K3 Drywall Spackle Flange Regressed 3"	1 120 V 2 277 V 3 347 V 4 UNV (120 - 277V)	90 90 CRI, High R9 P Plenum SL Standard Lengths Only (No Telescopic Sections) - None (leave space empty)			

*Consult factory. |**Certain lengths may include up to 2 telescopic sections. | ¹ Pattern record drawings will be sent out upon order.

- Select Driver:
- Factory option 1% dimming (Standard)
 - LHE** Lutron H-Series Hi-lume 1% EcoSystem LED Driver*
 - LSE** Lutron 5-Series EcoSystem LED Driver*

LIGHT LEVEL PERFORMANCE & PHOTOMETRIC DATA

3500K, 80 CRI, 0-10V Dimming (Standard)

Light Level	Meta Blanc (MB)			Luma Asymmetric (LA) Towards Wall			Luma Asymmetric (LA) Away From Wall			
	Lumens per foot	Wattage per foot	Efficacy (LPW)	Lumens per foot	Wattage per foot	Efficacy (LPW)	Lumens per foot	Wattage per foot	Efficacy (LPW)	
L1	350	3.5	100	333	3.3	101	314	3.3	95	
L2	439	4.4	99	415	4.3	98	392	4.3	92	
L3	596	6.1	99	557	5.8	97	526	5.8	91	
L4	1106	12.5	89	1026	11.8	87	967	11.8	82	
Light Level L3	IES File	RP4D-1L35K-4-MB-L3			RP4D-1L35K-4-LA-L3-TOWARDS			RP4D-1L35K-4-LA-L3-AWAY		
	Distribution % (Down / Up)	100 / 0			100 / 0			100 / 0		
	Zonal Lumens (0-90 / 90-180)	2385 / 0			2230 / 0			2105 / 0		
	Distribution Curve									

Lumen Adjustment Factor (Standard)

Color Temp	80 CRI	90 CRI
3000K	0.984	0.880
3500K	1.000	0.875
4000K	1.032	0.879

Metalumen's light level performance metrics are subject to manufacturers component tolerances.

TELESCOPIC SECTION LENGTHS

- ← 2 ft → × 12" →

TL2+1 TELESCOPIC

Min 2ft nom. Max 3ft nom. Telescopic section can be adjusted from 0 to 12". Only one end can be extended.
- ← 3 ft → × 12" →

TL3+1 TELESCOPIC

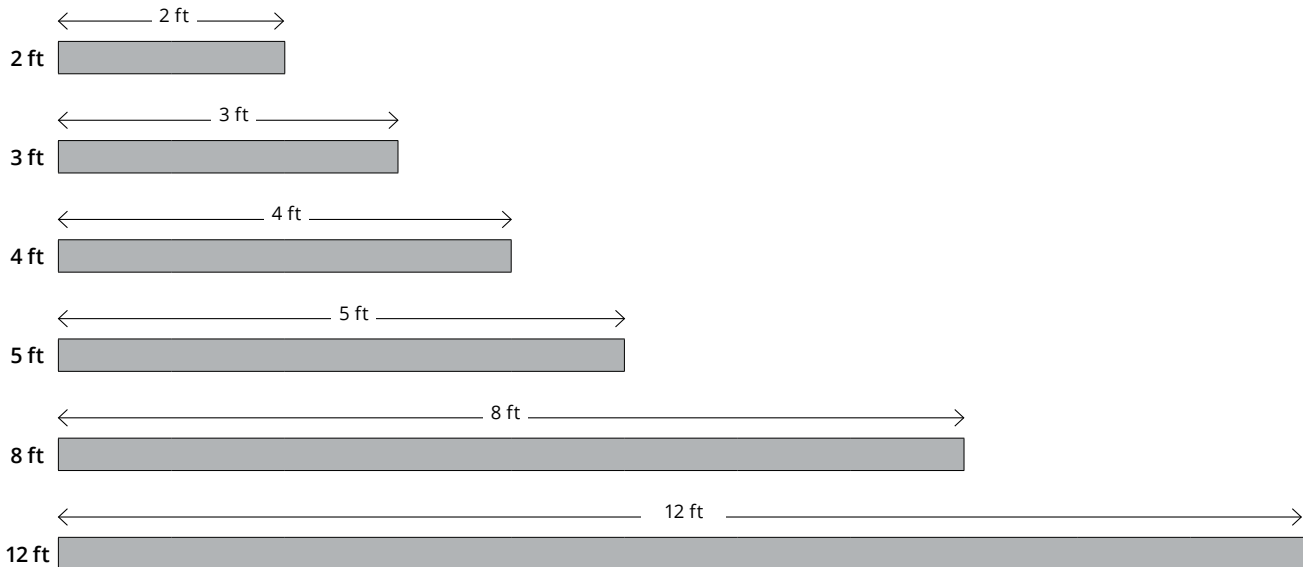
Min 3ft nom. Max 4ft nom. Telescopic section can be adjusted from 0 to 12". Only one end can be extended.
- ← 4 ft → × 12" →

TL4+1 TELESCOPIC

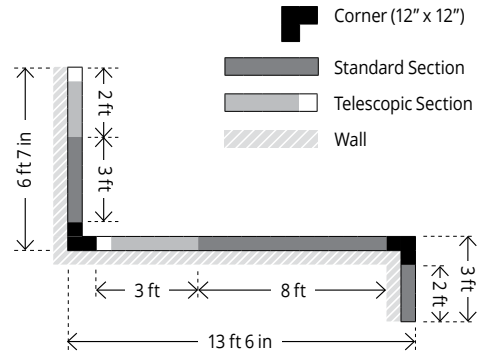
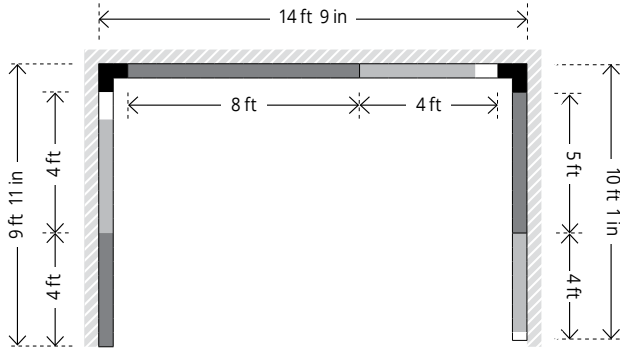
Min 4ft nom. Max 5ft nom. Telescopic section can be adjusted from 0 to 12". Only one end can be extended.

STANDARD SECTION LENGTHS

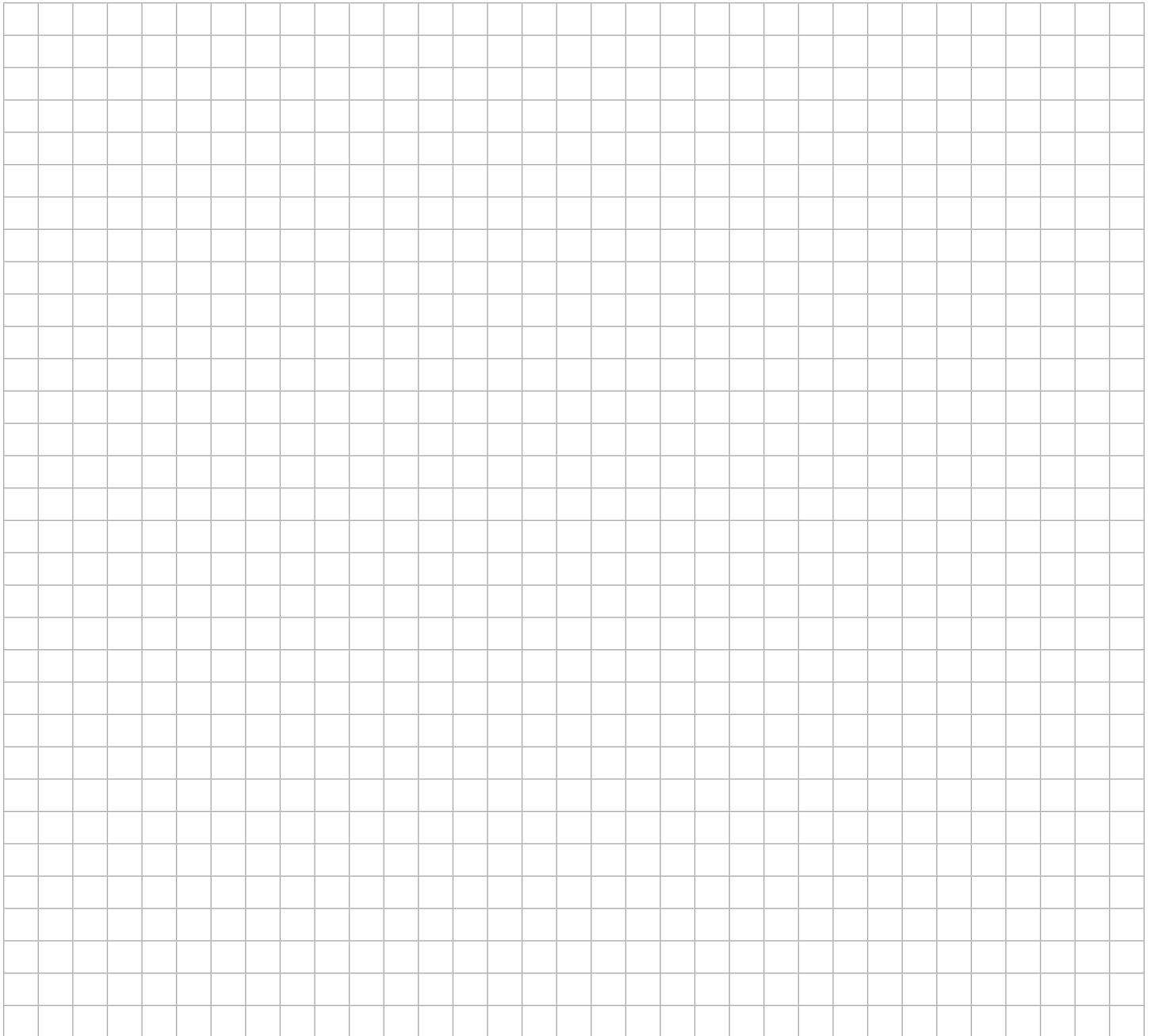
Standard 2', 3', 4', 5', 8', 10', 12' and inside/outside corners can be combined to make continuous rows or patterns.



PATTERN CONFIGURATION EXAMPLES



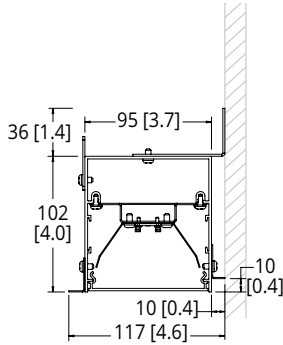
PATTERNS - A pattern configuration drawing is required in the grid below.



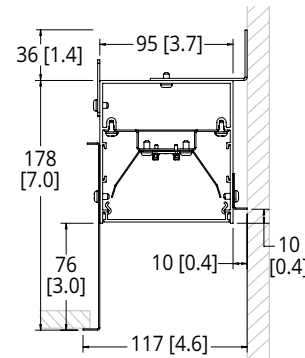
WIRING

Standard Wiring	Emergency Wiring	Emergency Battery Pack Wiring

CROSS SECTIONS



Flush



Regressed 3"

CONTRACTOR NOTES:	
Wall must be finished at least 6" above the ceiling height before flush fixture is mounted.	Finish the ceiling by mudding over the metal RP4D flange.

CONTRACTOR NOTES:	
Wall must be finished at least 6" above the ceiling height before flush fixture is mounted.	Finish the ceiling by mudding over the metal RP4D flange.

SPECIFICATIONS

Due to the Continuous Improvement Policy at Metalumen, we reserve the right to change our specifications without notice.

Housing: Rigid extruded aluminum body, 2.0mm (0.08") nominal wall thickness. 95mm (3.7") wide x 102mm (4.0") high, not including height of Fascia (add up to 4"). Steel reflectors and aluminum end caps. Telescopic portions can be quickly and easily cut to length in the field.
Optical System: Metalumen luminaires are designed to utilize leading edge LED technology

combined with luminaire optimized reflectors and our custom diffusers, resulting in industry leading optical performance.
CRI: Minimum 80 CRI. 90 CRI is available as an option for superior colour rendering capability.
Lumen Maintenance: Minimum 50,000h with TM-21 lumen maintenance of 85% @ 24°C ambient temperature (calculated based on

IESNA LM-80-08 LED test data). L70: ≥ 60,000hrs.
Finish: Standard white finish. For custom finish, contact factory.
Weight: See RP4D Weights chart below.
Mounting: Suitable for 9/16" and 15/16" T-Bar.
Electrical: Fixtures are all factory pre-wired for easy connection and installation. Integral driver configuration is factory pre-wired and

includes wire quick connectors.
Drivers: Metalumen offers 0-10V dimming as a standard on our entire LED product offering. Dimming range is 1%-100%. Power factor is > 90%. Class 2 rating.
Approvals: This product is cULus listed. Plenum - CCEA approved.
Environment: Suitable for dry locations.

RP4D WEIGHTS for 4' ALONE SECTIONS		Meta Blanc (Symmetric)	Luma Asymmetric
	Flush	5.30 kg [11.7 lbs]	5.30 kg [11.7 lbs]
	3" Regressed	6.55 kg [14.4 lbs]	6.55 kg [14.4 lbs]

WARRANTY

Metalumen will warrant defective luminaires for 5 years from date of purchase. Warranty is valid if luminaire is installed and used according to specification. If defective, Metalumen will send replacement boards or drivers at no cost along with detailed replacement instructions and instructions on how to return defective components to Metalumen.