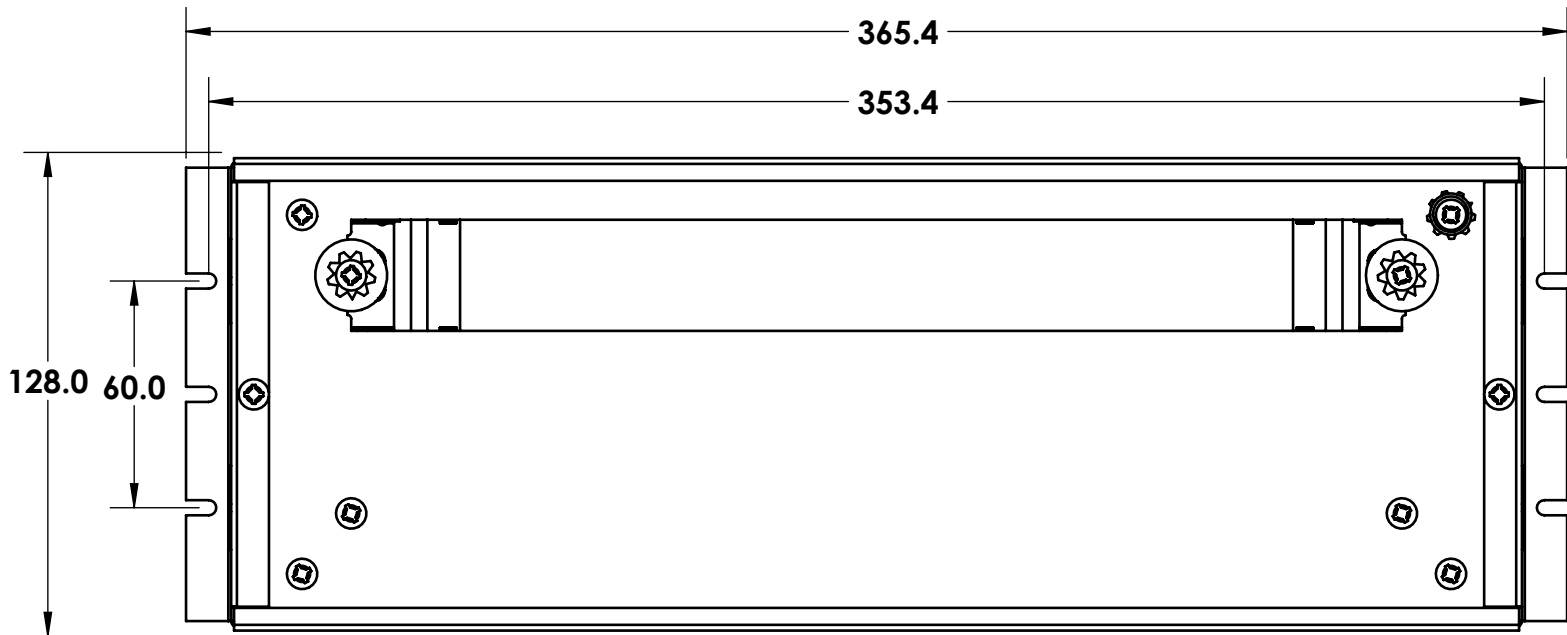
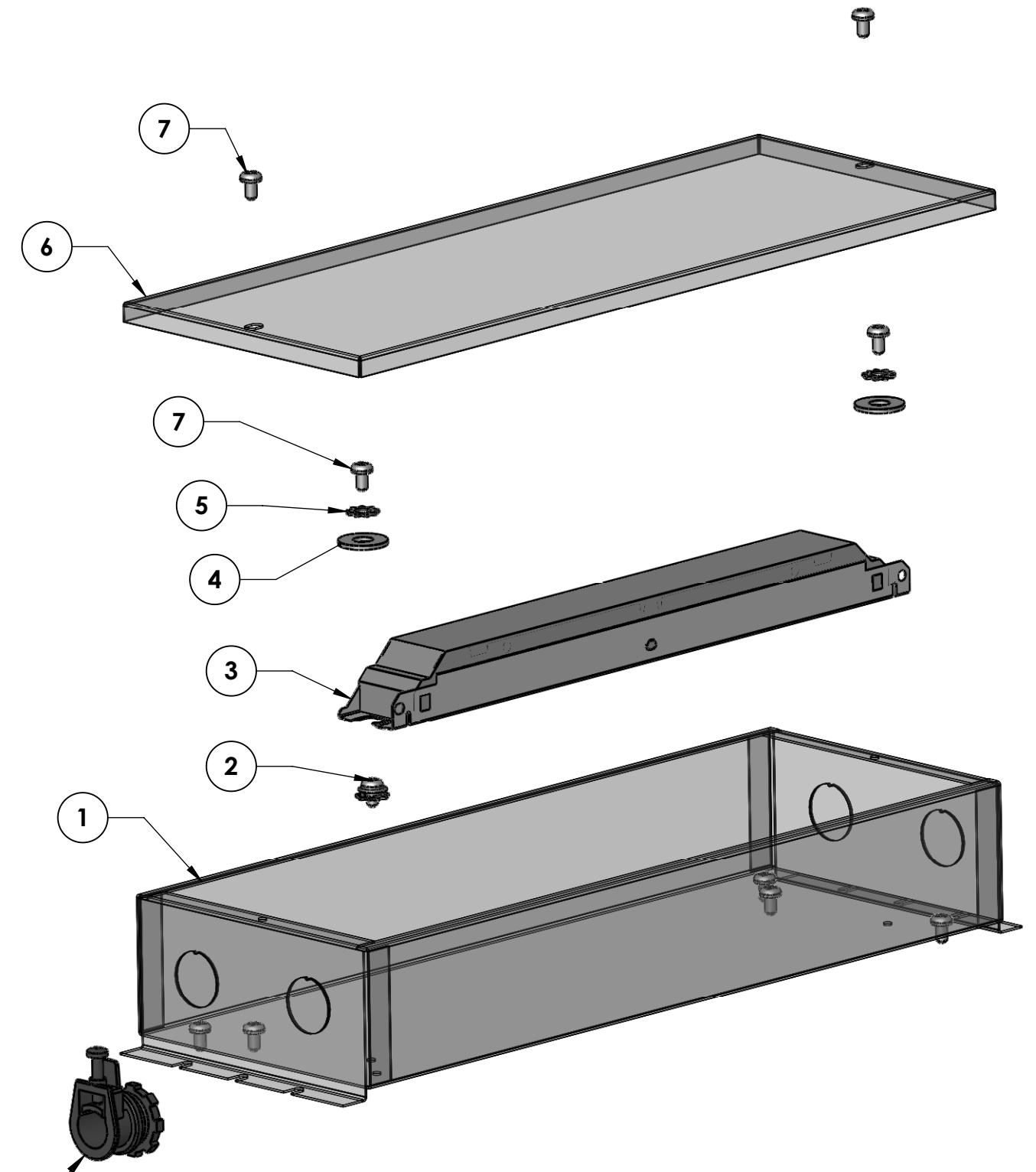
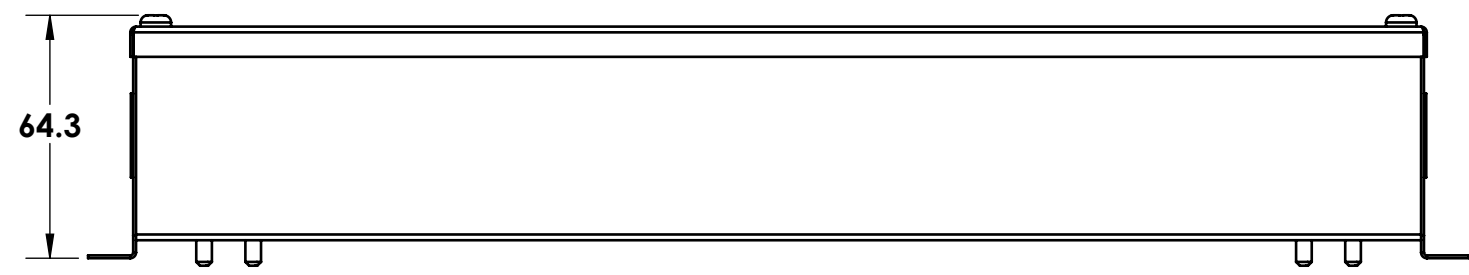


ITEM #	PART NUMBER	DESCRIPTION	QTY.
1	SA-9330-26	Remote Driver Box Spot Weld S/A For 2xOsram LED Driver	1
2	SA-0551-01	STD GROUNDING SYSTEMS - (TYPE 4) 5/16 SCREW	1
3	BF-LED-UN-AOC-XXXX-50-DO	OSRAM PROGRAMMABLE LED DRIVER 50W 400mA-1400mA	1
4	WA-25ST-AA	#1/4 FLAT WASHER	2
5	WA-25ST-ETZ	#1/4" EXTERNAL TOOTH WASHER- ZINC PLATED	2
6	MP-9601-74	TOP COVER FOR 2xOSRAM LED DRIVER BOX	1
7	ST-0800-05PZ	SELF TAPPING SCREW #8B x 5/16" LG.	9

REV.	ECN#	REV DESCRIPTION	BY	DATE
00		RELEASE FOR PRODUCTION	CD	15/01/08



TOP COVER IS NOT SHOWN IN THIS VIEW



***** IMPORTANT NOTES *****

- DO NOT LEAVE ANY HOLE ON BODY EMPTY.
- USE SELF TAPPING SCREW TO PLUG HOLE

METRIC DO NOT SCALE DRAWING DIMENSIONS ARE IN METRIC UNLESS OTHERWISE SPECIFIED TOLERANCES X. ±0.8 .X ±0.25 .XX ±0.10 ALL ANGLES: ±0.5° REMOVE SHARP CORNERS	DRAWN BY:	DRAWN DATE:	TITLE:	
	CD	1/8/2016	GENERIC w/ 1xOSRAM LED DRIVER, CLASS-2 (1xBF-LED-UN-AOC-1A40-50-DO)	
	CHECKED BY:	CHECKED DATE:	DWG. NO.	
		1/8/2016	BB-0591-B1	
	MATERIAL:	FINISH:	Metalumen	
		none		
SCALE: NTS	SIZE B	SHEET 1 OF 1		