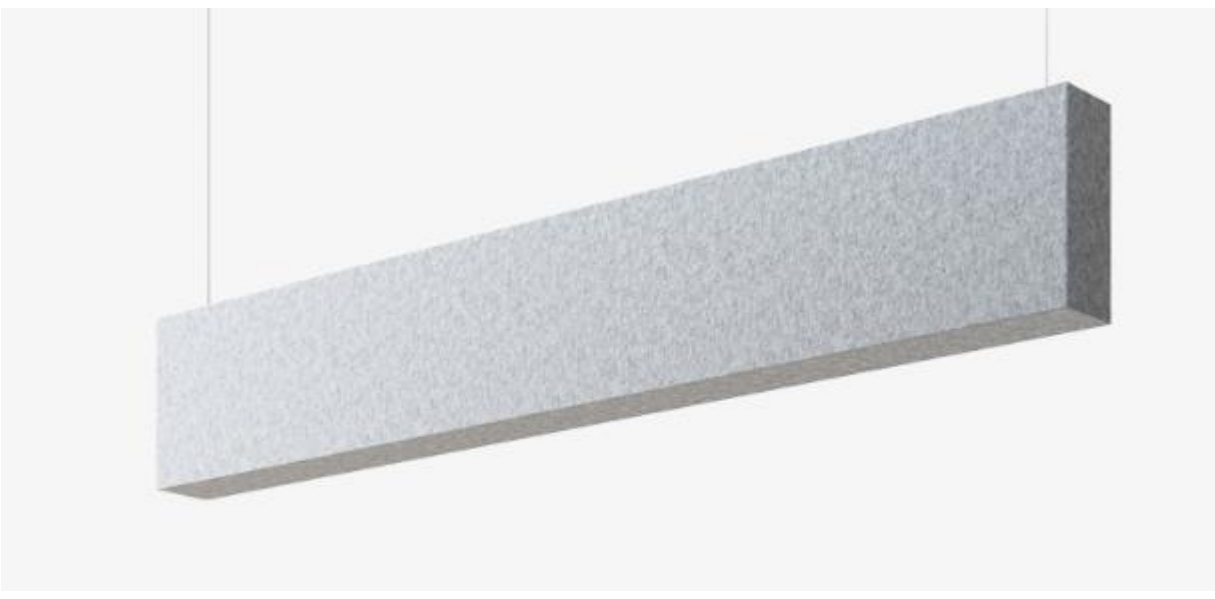


**INSTALLATION
INSTRUCTIONS**

RAIL2 ACU

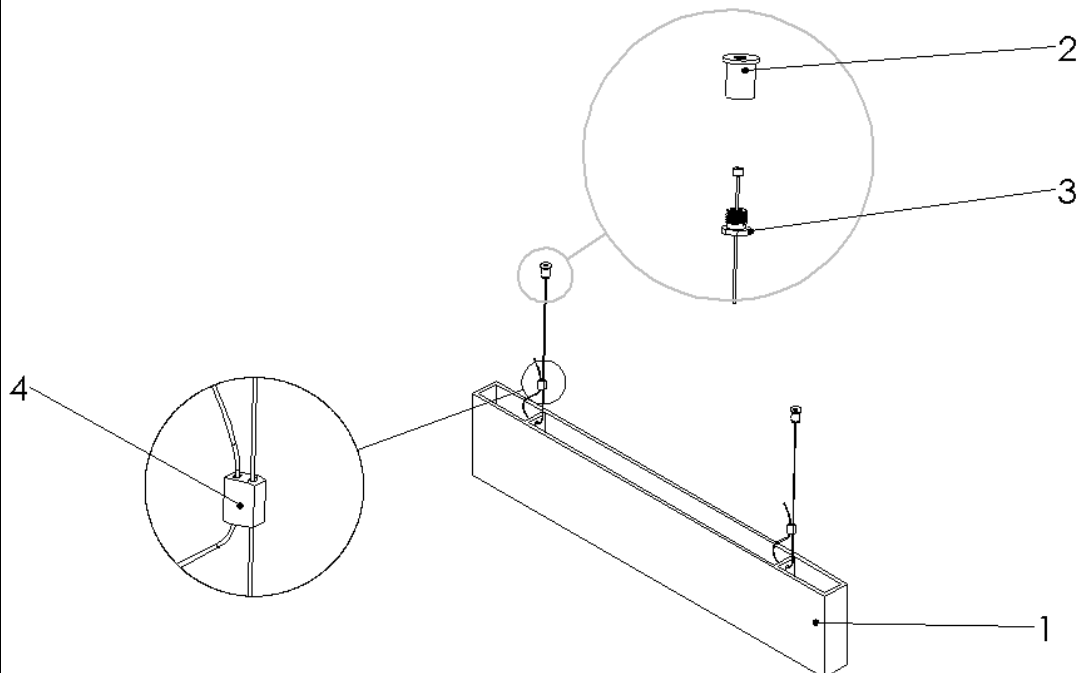
RAIL2-ACU Pendant



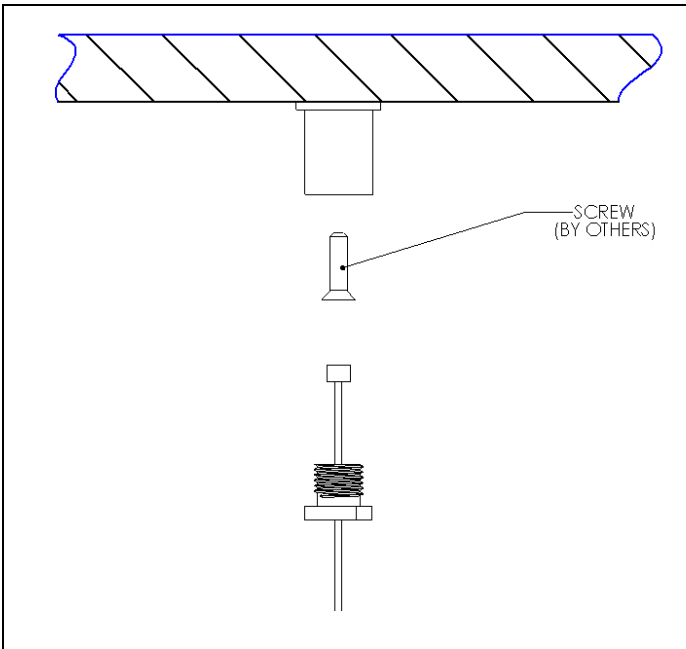
PARTS LIST

MAIN PARTS

- 1. RAIL
- 2. Outer barrel
- 3. Inner cap
- 4. Cable gripper



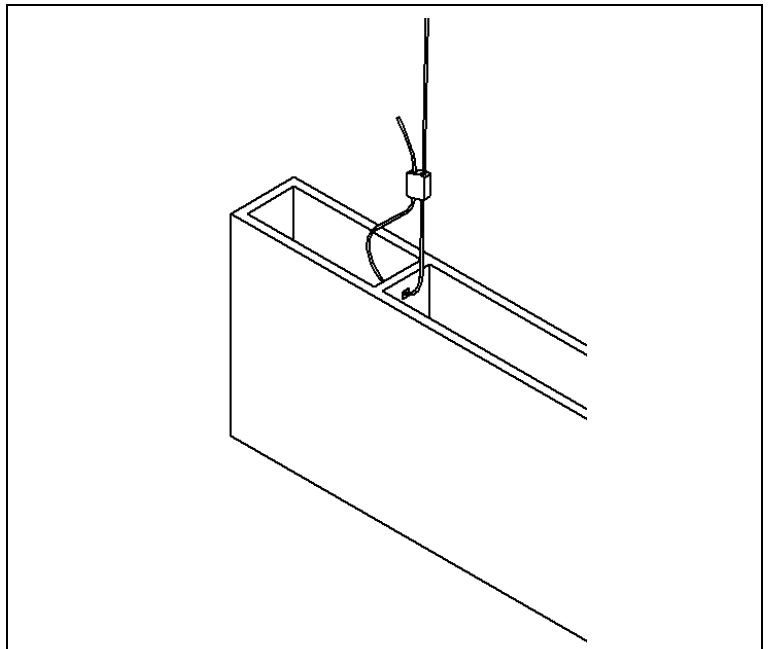
STEP BY STEP INSTALLTION INSTRUCTIONS



STEP 1. Locate available suspension points on ceiling in relation to Rail suspension locations.

Mount outer barrels securely onto ceiling with appropriate fasteners (not included).

Tread inner cap onto outer barrel by hand only



STEP 2. Loop the cable thru the hole on the Rail Rib with the cable gripper.

Adjust height of fixture by pushing and pulling cable through gripper.