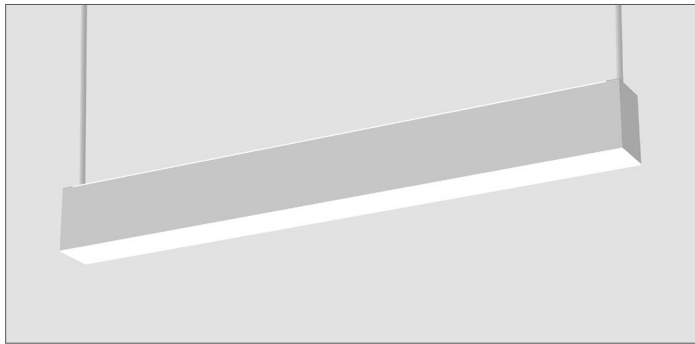


RAIL 4 WET S4WDI

SOLID STEM . DIRECT / INDIRECT



PART #:	
PREP BY:	DATE:
PROJECT:	QTY:
NOTES:	
APPROVAL SIGNATURE:	DATE (DD/MM/YYYY):

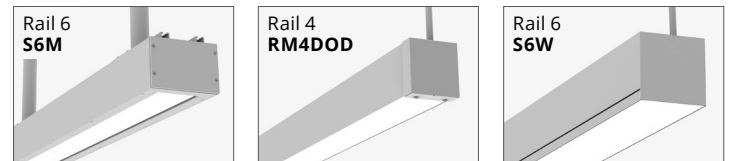
PERFORMANCE SUMMARY @ 3500K	Up: Meta Blanc, Down: Meta Blanc (MBMB)
Lumens per foot	1000
Wattage per foot	10
Efficacy (LPW)	100
L70 Estimate (h)	≥ 60,000 hrs

See page 2 for the complete Light Level Performance chart.

- Wet location and IP54 rated
- Continuous direct optics with no breaks
- Constructed of corrosion resistant components
- Standard natatorium finish



OTHER RAIL WET SERIES PRODUCTS



ORDERING LOGIC

Example Part Number: S4WDI-35K-8-MBMB-NW-150EM-SS18-3-DD-90

S4WDI				MBMB				SS			
1	2	3	4	5	6	7	8	9	10	11	12

1. SERIES S4WDI Direct / Indirect	2. COLOR TEMP 30K 3000K 35K 3500K 40K 4000K 90 CRI is available under OPTIONS	3. LENGTH 3 3 ft 4 4 ft 5 5 ft 6 6 ft 7 7 ft 8 8 ft 9 9 ft 10 10 ft 11 11 ft 12 12 ft RA Continuous Rows (Replace "A" with length in feet) C Custom Length*	4. PATTERN ¹ GA Square GAxB Rectangle UAxBxC U-Shape LAxB L-Shape C Custom Pattern* _ None (leave space empty) Standard Patterns Minimum Lengths Square: A = 4 ft min., B = 4 ft min. Rectangle: A = 3 ft min., B = 4 ft min. U-Shape: A = 3 ft min., B = 4 ft min., C = 3 ft min. L-Shape: A = 3 ft min., B = 3 ft min. Custom Patterns* Lengths and a drawing of custom pattern are required on page 3 T-Shape, Cross/X Select corner: Outside 90° Inside 90° 	5. OPTICS MBMB Up: Meta Blanc Down: Meta Blanc (Opal diffuse lens)	6. FINISH NSA Satin Aluminum NW White NB Black NC Custom Specify RAL:
7. LIGHT LEVEL / DRIVER 100 1000 lm/f 150 1500 lm/f 200 2000 lm/f C Custom Range. Specify lumens: (Total lumens between 350-1000 at 50 lm intervals) Select Driver on next page. See Light Level Performance chart on p2.	8. CIRCUITRY 1 1 Circuit UD Up / Down Switching* EM Emergency / Night Light B Emergency Battery Pack* (remote mounted) (Limited to ambient temperatures down to 0°C)	9. MOUNTING SSX Solid Stem Replace "X" with length in inches selected below. Select Solid Stem Length, Canopy Finish & Power Cord Color on p2	10. VOLTAGE 1 120 V 2 277 V 3 347 V 4 UNV (120 - 277V)	11. CONTROLS OO Outdoor Occupancy Sensor DD Outdoor Dusk to Dawn Sensor _ None (leave space empty)	12. OPTIONS 90 90 CRI, High R9 SP Surge Protection EF End Feed (Alone fixtures only) _ None (leave space empty)

*Consult factory. | ¹Pattern record drawings showing mounting locations will be sent out upon order.

- Select Driver: Factory option 0-10V, 1% Dimming
 LHE Lutron H-Series Hi-lume 1% EcoSystem LED Driver
 L5E Lutron 5-Series EcoSystem LED Driver

Select Solid Stem Length - 1/2" OD Standard:

Standard supplied length is 18" (460mm). Hangers will be supplied at closest length. All other lengths are considered custom unless otherwise stated.

Select:	Imperial (in)	Metric (mm)
<input type="checkbox"/>	12	305
<input type="checkbox"/>	15	380
<input type="checkbox"/>	18	460
<input type="checkbox"/>	21	533
<input type="checkbox"/>	24	610
<input type="checkbox"/>	27	685
<input type="checkbox"/>	30	760

Select:	Imperial (in)	Metric (mm)
<input type="checkbox"/>	33	840
<input type="checkbox"/>	36	915
<input type="checkbox"/>	39	990
<input type="checkbox"/>	42	1067
<input type="checkbox"/>	45	1145
<input type="checkbox"/>	48	1220
<input type="checkbox"/>	Custom Length (in inches): _____	

Select Finish

Select:	Imperial (in)
<input type="checkbox"/>	White
<input type="checkbox"/>	Black
<input type="checkbox"/>	Custom RAL # _____

Light Level Performance

3500K, 80 CRI, 0-10V Dimming (Standard)

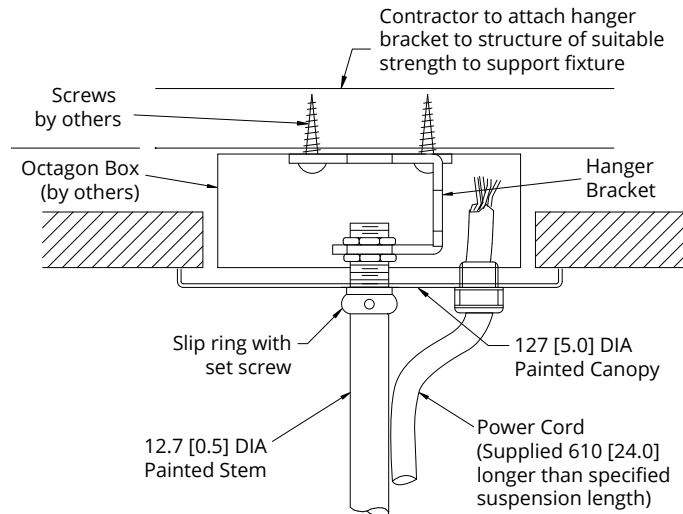
Optics	Up: Meta Blanc, Down: Meta Blanc (MBMB)		
Code	Lumens per foot	Wattage per foot	Efficacy (LPW)
1000	1000	10.0	100
1500	1500	15.3	98
2000	2000	21.1	95

Lumen Adjustment Factor

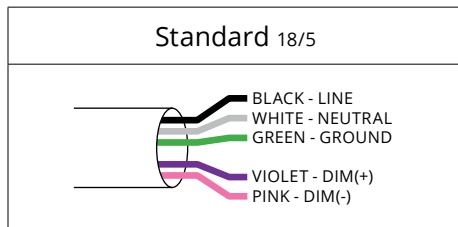
Color Temp	80 CRI	90 CRI
3000K	0.984	0.880
3500K	1.000	0.875
4000K	1.032	0.879

Metalumen's light level performance metrics are subject to manufacturers component tolerances.

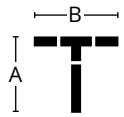
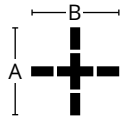
HANGER



WIRING



PATTERNS

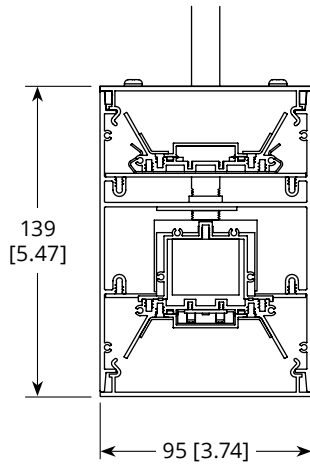
Select Pattern:	<input type="checkbox"/> T-SHAPE (C)	<input type="checkbox"/> CROSS / X-SHAPE (C)
Pattern Configuration		
Indicate Desired Lengths (ft)	Consult Factory	
Minimum Lengths	A = 3 ft B = 6 ft	A = 6 ft B = 6 ft

A custom pattern configuration drawing is required in the grid below

Approval drawings will be sent out upon order showing mounting locations.



CROSS SECTIONS



SPECIFICATIONS

Due to the Continuous Improvement Policy at Metalumen, we reserve the right to change our specifications without notice.

Housing: Rigid extruded aluminum body, 2.0mm (0.08”) nominal wall thickness. Aluminum formed end caps.
Optical System: Metalumen luminaires are designed to utilize leading edge LED technology combined with luminaire optimized reflectors and our custom diffusers, resulting in industry leading optical performance.
CRI: 83+ for 3500K, 80 minimum for all

CCTs in standard configurations.
Lumen Maintenance: Minimum 50,000h with TM-21 lumen maintenance of 85% @ 25°C ambient temperature (calculated based on IESNA LM-80-08 LED test data). L70: ≥ 60 000hrs.
Finish: Satin aluminum, white and black are standard with a natatorium finish. For custom colors, contact factory.

Weight: 2.1 kg/300mm [4.6 lb/ft]
Mounting: Solid stem mount.
Drivers: Metalumen offers dimming* drivers as a standard on our entire LED product offering at 0-10V. Dimming range is 1%-100%. Power factor is > 90%. Class 2 rating. Drivers are integral. Up/down switching for 3ft and 7ft requires remote drivers.
Approvals: All components are UL/ CSA/QPS recognized or listed. RoHS

compliant. This product is cULus listed.
Environment: Suitable for wet locations -22°F / -30°C start ambient temperature. Suitable for natatorium environments.

**Standard drivers compatible with passive/ sinking dimmers. Please contact Metalumen if active/sourcing dimmer support is required.*

WARRANTY

Metalumen will warrant defective luminaires for 5 years from date of purchase. Warranty is valid if luminaire is installed and used according to specification. If defective, Metalumen will send replacement boards or drivers at no cost along with detailed replacement instructions and instructions on how to return defective components to Metalumen.

PHOTOMETRIC DATA - 3500K, 80 CRI

Optics Up: **Meta Blanc**
 Optics Down: **Meta Blanc**
 IES File: **S4WDI-35K-4-MBMB-1000**
 Lumens: **1000/ft** Wattage: **10/ft**
 Efficacy: **100 LPW**

ZONAL LUMEN SUMMARY

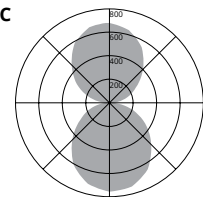
Zone	Lumens	%Fixt
0-90	2102	52.4
90-180	1911	47.6
0-180	4013	100

LUMINANCE DATA (CD/M2)

Vertical Angle	Horizontal Angle		
	0	45	90
45	610	608	586
55	602	581	557
65	601	565	519
75	611	549	469
85	713	639	398

PHOTOMETRIC CURVE

48% Up
 53% Down



Photometric performance is measured and scaled in accordance with IESNA LM-79.