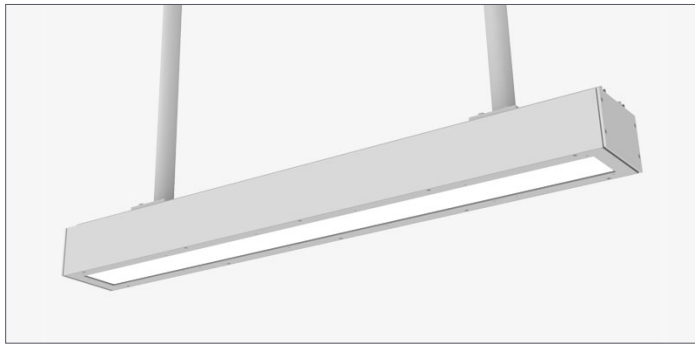


# RAIL 6 S6M

WET . IP65 . SOLID STEM . DIRECT



- IP65 rated
- 3G vibration rated
- Natatorium finish
- Polycarbonate lens option
- Sealed door design
- Vandal resistant hardware

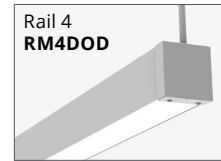


PART #:	
PREP BY:	DATE:
PROJECT:	QTY:
NOTES:	
APPROVAL SIGNATURE:	DATE (DD/MM/YYYY):

PERFORMANCE SUMMARY @ 3500K		Polycarbonate (PC) Meta Ice (M)	Polycarbonate Asymmetric (PCA) Meta Asymmetric (MA)	Meta Blanc (MB)
Lumens per foot	80 CRI	750	750	750
	90 CRI	656	656	656
Wattage per foot		7.9	8.2	8.8
Efficacy (LPW)	80 CRI	95	92	85
	90 CRI	83	80	75
L70 Estimate (h)		≥ 60,000 hrs		

See page 2 for the complete Light Level Performance chart.

## OTHER RAIL WET SERIES PRODUCTS



## ORDERING LOGIC

Example Part Number: S6M-35K-8-MB-NW-35EM-SS18-1-90

S6M								SS		
1	2	3	4	5	6	7	8	9	10	
1. SERIES <b>S6M</b>	2. COLOR TEMP <b>30K</b> 3000K <b>35K</b> 3500K <b>40K</b> 4000K  90 CRI is available under OPTIONS	3. LENGTH <b>4</b> 4 ft <b>8</b> 8 ft <b>12</b> 12 ft <b>RA</b> Continuous Rows (Replace "A" with length in feet) <b>C</b> Custom Length*	4. OPTICS <b>MB</b> Meta Blanc <b>M</b> Meta Ice <b>MA</b> Meta Asymmetric <b>PC</b> Polycarbonate <b>PCA</b> Polycarbonate Asymmetric  <b>Meta Blanc:</b> Opal diffuse lens <b>Meta Ice:</b> High output semi-diffuse lens	5. NATATORIUM FINISH <b>NSA</b> Satin Aluminum <b>NW</b> White <b>NB</b> Black <b>NC</b> Custom Finish Specify RAL:	6. LIGHT LEVEL / DRIVER <b>35</b> 350 lm/f <b>50</b> 500 lm/f <b>75</b> 750 lm/f <b>100</b> 1000 lm/f <b>C</b> Custom Range Specify lumens:  (Lumen range between 350-1250 at 50 lm intervals)  Select Driver below. See Light Level Performance chart on p2.		7. CIRCUITRY <b>1</b> 1 Circuit <b>EM</b> Emergency / Night Light <b>B</b> Emergency Battery Pack <sup>2</sup> (Battery option is limited to ambient temperatures above 0°C) <b>BC</b> Emergency Battery Pack <sup>2</sup> for Cold Weather (Limited to ambient temperatures down to -20°C)	8. MOUNTING <b>SSX</b> Solid Stem  Replace "X" with length in inches selected below. Select Solid Stem Length & Power Cord Color below	9. VOLTAGE <b>1</b> 120 V <b>2</b> 277 V <b>3</b> 347 V <b>4</b> UNV (120 - 277V)	10. OPTIONS <b>90</b> 90 CRI, High R9 <b>SP</b> Surge Protection <b>EF</b> End Feed (Alone fixtures only) <b>VH</b> Vandal Resistant Hardware _ None (leave space empty)

\*Consult factory. | <sup>2</sup> Battery operates 4ft sections only.

### Select Driver:

- Factory option 0-10V, 1% Dimming
- LHE** Lutron H-Series Hi-lume 1% EcoSystem LED Driver
- L5E** Lutron 5-Series EcoSystem LED Driver

### Select Solid Stem Length - 1.66" OD Standard:

Standard supplied length is 18" (460mm). Hangers will be supplied at closest length. All other lengths are considered custom unless otherwise stated

Select:	Imperial (in)	Metric (mm)
<input type="checkbox"/>	12	305
<input type="checkbox"/>	15	380
<input type="checkbox"/>	18	460
<input type="checkbox"/>	21	533

Select:	Imperial (in)	Metric (mm)
<input type="checkbox"/>	24	610
<input type="checkbox"/>	27	685
<input type="checkbox"/>	30	760
<input type="checkbox"/>	Custom Length (in inches): _____	

### Select Power Cord Color

Power Cord
<input type="checkbox"/> White
<input type="checkbox"/> Black

## Light Level Performance

3500K, 80 CRI, 0-10V Dimming (Standard)

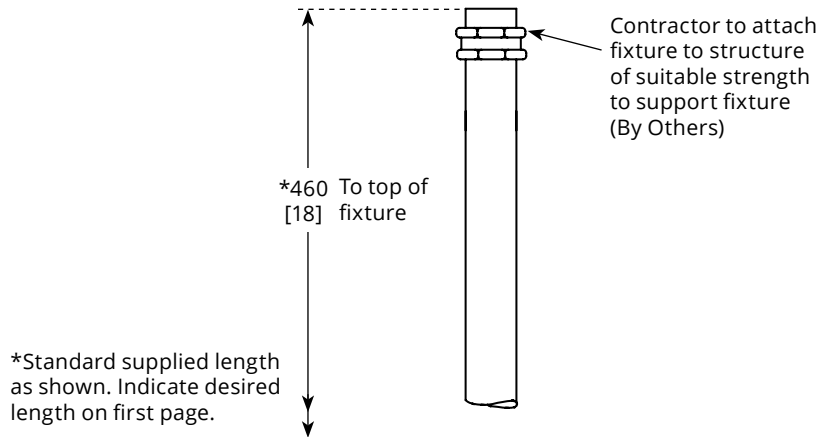
Optics	Polycarbonate (PC)			Polycarbonate Asymmetric (PCA)			Meta Blanc (MB)			Meta Ice (M)			Meta Asymmetric (MA)		
	Lumens per foot	Wattage per foot	Efficacy (LPW)	Lumens per foot	Wattage per foot	Efficacy (LPW)	Lumens per foot	Wattage per foot	Efficacy (LPW)	Lumens per foot	Wattage per foot	Efficacy (LPW)	Lumens per foot	Wattage per foot	Efficacy (LPW)
<b>L1</b>	350	3.8	93	350	3.8	92	350	4.1	85	350	3.8	93	350	3.8	92
<b>L2</b>	500	5.3	95	500	5.4	92	500	5.9	85	500	5.3	95	500	5.4	92
<b>L3</b>	750	7.9	95	750	8.2	92	750	8.8	85	750	7.9	95	750	8.2	92
<b>L4</b>	1000	10.9	92	1000	11.1	90	1000	12.5	80	1000	10.9	92	1000	11.1	90

### Lumen Adjustment Factor

Color Temp	80 CRI	90 CRI
3000K	0.984	0.880
3500K	1.000	0.875
4000K	1.032	0.879

Metalumen's light level performance metrics are subject to manufacturers component tolerances.

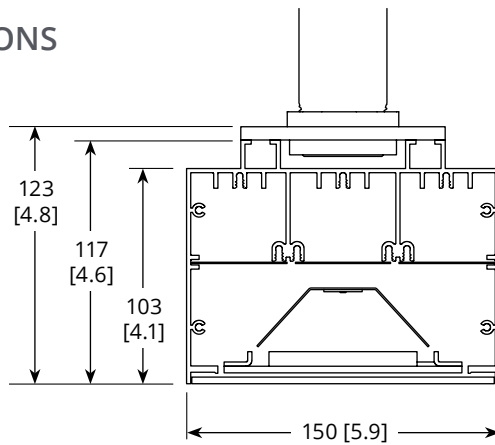
## SOLID STEM HANGER



## WIRING

Standard Wiring	Emergency Wiring	Emergency Battery Pack Wiring

## CROSS SECTIONS



## SPECIFICATIONS

Due to the Continuous Improvement Policy at Metalumen, we reserve the right to change our specifications without notice.

**Housing:** Rigid extruded aluminum body, 2.0mm (0.08") nominal wall thickness. Aluminum milled end cap.

**Optical System:** Metalumen luminaires are designed to utilize leading edge LED technology combined with luminaire optimized reflectors and our custom diffusers, resulting in industry leading optical performance.

**CRI:** 83+ for 3500K, 80 minimum for all

CCTs in standard configurations.

**Lumen Maintenance:** Minimum 50,000h with TM-21 lumen maintenance of 85% @ 25°C ambient temperature (calculated based on IESNA LM-80-08 LED test data). L70: ≥ 60 000hrs.

**Finish:** Satin aluminum, white and black are standard colors with a natorium finish. For custom colors, contact factory.

**Weight:** 2.4 kg/300mm [ 5.2 lb/ft ]

**Mounting:** Solid stem mount.

**Drivers:** Metalumen offers dimming\* drivers as a standard on our entire LED product offering at 0-10V. Dimming range is 1%-100%. Power factor is > 90%. Class 2 rating. Drivers are integral.

**Approvals:** All components are UL/ CSA/QPS recognized or listed. RoHS compliant. This product is pending

cULus approval.

**Environment:** Suitable for wet locations -22°F / -30°C start ambient temperature. Suitable for natatorium environments.

*\*Standard drivers compatible with passive/ sinking dimmers. Please contact Metalumen if active/sourcing dimmer support is required.*

## WARRANTY

Metalumen will warrant defective luminaires for 5 years from date of purchase. Warranty is valid if luminaire is installed and used according to specification. If defective, Metalumen will send replacement boards or drivers at no cost along with detailed replacement instructions and instructions on how to return defective components to Metalumen.

PHOTOMETRIC DATA - 3500K, 80 CRI

Optics: **Polycarbonate**  
 IES File: **S6M-35K-4-PC-750**  
 Lumens: **750/ft** Wattage: **7.9/ft**  
 Efficacy: **95 LPW**

ZONAL LUMEN SUMMARY

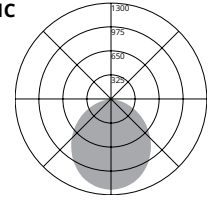
Zone	Lumens	%Fixt
0-90	3002	100
90-180	0	0
0-180	3002	100

LUMINANCE DATA (CD/M2)

Vertical Angle	Horizontal Angle		
	0	45	90
45	9957	9564	9196
55	9216	8590	7801
65	8183	7234	5900
75	6450	5031	3118
85	2939	686	343

PHOTOMETRIC CURVE

100% Down



Optics: **Polycarbonate Asymmetric**  
 IES File: **S6M-35K-4-PCA-750**  
 Lumens: **750/ft** Wattage: **8.2/ft**  
 Efficacy: **92 LPW**

ZONAL LUMEN SUMMARY

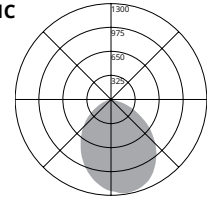
Zone	Lumens	%Fixt
0-90	2998	100
90-180	0	0
0-180	2998	100

LUMINANCE DATA (CD/M2)

Vertical Angle	Horizontal Angle		
	0	45	90
45	11633	11392	10273
55	10314	10486	9496
65	8284	9161	8416
75	5071	6617	6643
85	376	1280	3012

PHOTOMETRIC CURVE

100% Down



Optics: **Meta Ice**  
 IES File: **S6M-35K-4-M-750**  
 Lumens: **750/ft** Wattage: **7.9/ft**  
 Efficacy: **95 LPW**

ZONAL LUMEN SUMMARY

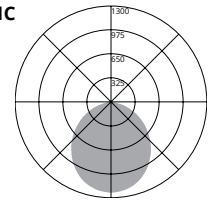
Zone	Lumens	%Fixt
0-90	3002	100
90-180	0	0
0-180	3002	100

LUMINANCE DATA (CD/M2)

Vertical Angle	Horizontal Angle		
	0	45	90
45	9957	9564	9196
55	9216	8590	7801
65	8183	7234	5900
75	6450	5031	3118
85	2939	686	343

PHOTOMETRIC CURVE

100% Down



Optics: **Meta Asymmetric**  
 IES File: **S6M-35K-4-MA-750**  
 Lumens: **750/ft** Wattage: **8.2/ft**  
 Efficacy: **92 LPW**

ZONAL LUMEN SUMMARY

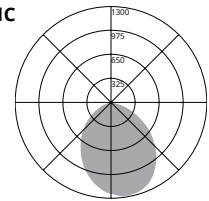
Zone	Lumens	%Fixt
0-90	2998	100
90-180	0	0
0-180	2998	100

LUMINANCE DATA (CD/M2)

Vertical Angle	Horizontal Angle		
	0	45	90
45	11633	11392	10273
55	10314	10486	9496
65	8284	9161	8416
75	5071	6617	6643
85	376	1280	3012

PHOTOMETRIC CURVE

100% Down



Photometric performance is measured and scaled in accordance with IESNA LM-79.