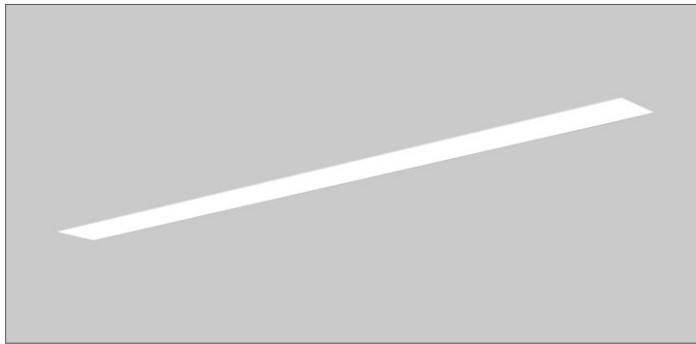


RAIL 4 WET S4WD

RECESSED FLANGELESS . DIRECT



- Efficacy up to 122 LPW
- Wet location and IP54 rated
- Continuous direct optics with no breaks
- Constructed of non-corrosive components
- Standard natatorium powder coat finish

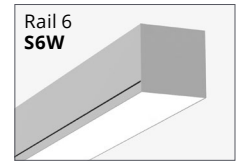
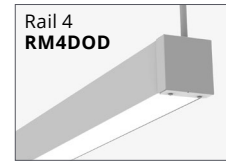


PART #:		DATE:	
PREP BY:		QTY:	
PROJECT:		NOTES:	
APPROVAL SIGNATURE:		DATE (DD/MM/YYYY):	

PERFORMANCE SUMMARY @ 3500K		Meta Blanc MB	Luma Span LS	Luma Asym. LA	Polycarbonate PC
Light Level		50	50	50	50
Lumens per foot	80 CRI	574	522	525	585
	90 CRI	502	457	459	512
Wattage per foot		5.7	4.7	4.4	5.8
Efficacy	80 CRI	100	112	118	102
	90 CRI	88	97	104	88
L70 Estimate (h)		≥ 60,000 hrs			

See complete Light Level Performance and Photometric Data on p2

OTHER RAIL WET SERIES PRODUCTS



ORDERING LOGIC

Example Part Number: S4WD-35K-8-MB-NW-1001-DF-3-00

S4WD		DF									
1	2	3	4	5	6	7	8	9	10	11	12
1. SERIES S4WD Direct	2. COLOR TEMP 30K 3000K 35K 3500K 40K 4000K	3. LENGTH 2 2 ft 3 3 ft 4 4 ft 5 5 ft 6 6 ft 7 7 ft 8 8 ft 9 9 ft 10 10 ft 11 11 ft 12 12 ft RA Continuous Rows (Replace "A" with length in feet) C Custom Length*	4. PATTERN ¹ GA Square GAxB Rectangle UAxBxC U-Shape LAxB L-Shape C Custom Pattern* _ None (leave space empty)	5. OPTICS MB Meta Blanc IK10 PC Polycarbonate IK10 LS Luma Span (Batwing) LA Luma Asymmetric	6. FINISH NSA Satin Aluminum NW White NB Black NC Custom Specify RAL:						
90 CRI is available under OPTIONS		Standard Patterns Minimum Lengths		MB: Acrylic opal diffuse lens		LS, LA: Acrylic high output semi-diffuse lens		PC: Semi-diffuse lens			
		<p>A = 4 ft min. B = 4 ft min.</p> <p>A = 3 ft min. B = 4 ft min. C = 3 ft min.</p> <p>A = 3 ft min. B = 3 ft min.</p>		Custom Patterns* <p>T-Shape Cross/X</p>		Select corner: <p>Outside 90° Inside 90°</p>		See Photometric Data on p2			
7. LIGHT LEVEL / DRIVER 35 350 lm/f 75 750 lm/f 50 500 lm/f 100 1000 lm/f	8. CIRCUITRY 1 1 Circuit EM Emergency / Night Light B Emergency Battery Pack* (remote mounted) (Limited to ambient temperatures down to 0°C)		9. MOUNTING DF Recessed Flangeless	10. VOLTAGE 1 120 V 2 277 V 3 347 V 4 UNV (120 - 277V)	11. CONTROLS OO Outdoor Occupancy Sensor DD Outdoor Dusk to Dawn Sensor _ None (leave space empty)	12. OPTIONS 90 90 CRI, High R9 _ None (leave space empty)					
C Custom Range. Specify lumens: (Total lumens between 350-1000 at 50 lm intervals) Select Driver below. See Light Level Performance chart on p2.											

*Consult factory. | ¹ Pattern record drawings showing mounting locations will be sent out upon order.

- Select Driver: Factory option 0-10V, 1% Dimming
 LHE Lutron H-Series Hi-lume 1% EcoSystem LED Driver
 LSE Lutron 5-Series EcoSystem LED Driver
 Consult factory for -40 drivers.

LIGHT LEVEL PERFORMANCE & PHOTOMETRIC DATA

3500K, 80 CRI, 0-10V Dimming (Standard)

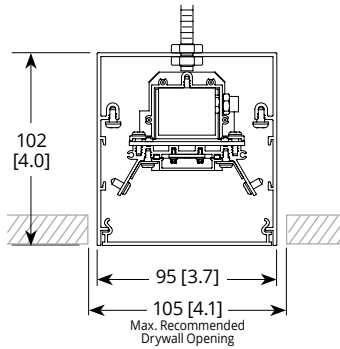
Light Level	Meta Blanc (MB)			Polycarbonate (PC)			Luma Span (LS)			Luma Asymmetric (LA)			
	Lumens per foot	Wattage per foot	Efficacy (LPW)	Lumens per foot	Wattage per foot	Efficacy (LPW)	Lumens per foot	Wattage per foot	Efficacy (LPW)	Lumens per foot	Wattage per foot	Efficacy (LPW)	
35	381	3.9	99	388	3.9	101	363	3.2	115	364	3.0	122	
50	574	5.7	100	585	5.8	102	522	4.7	112	525	4.4	118	
75	790	8.1	97	807	8.1	99	772	6.9	111	772	6.4	121	
100	1090	11.8	93	1115	11.7	95	1025	9.4	109	1016	8.8	116	
Light Level 75	IES File	S4WD-35K-4-MB-75			S4WD-35K-4-PC-75			S4WD-35K-4-LS-75			S4WD-35K-4-LA-75		
	Distribution % (Down / Up)	100 / 0			100 / 0			100 / 0			100 / 0		
	Zonal Lumens (0-90 / 90-180)	3156 / 0			3227 / 0			3086 / 0			3088 / 0		
	Distribution Curve												

Lumen Adjustment Factor (Standard)

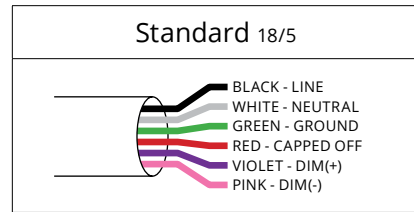
Color Temp	80 CRI	90 CRI
3000K	0.984	0.880
3500K	1.000	0.875
4000K	1.032	0.879

Metalumen's light level performance metrics are subject to manufacturers component tolerances.

CROSS SECTION



WIRING



SPECIFICATIONS

Due to the Continuous Improvement Policy at Metalumen, we reserve the right to change our specifications without notice.

Housing: Rigid extruded aluminum body, 2.0mm (0.08") nominal wall thickness. Aluminum formed end caps.
Optical System: Metalumen luminaires are designed to utilize leading edge LED technology combined with luminaire optimized reflectors and our custom diffusers, resulting in industry leading optical performance.
CRI: 83+ for 3500K, 80 minimum for all

CCTs in standard configurations.
Lumen Maintenance: Minimum 50,000h with TM-21 lumen maintenance of 85% @ 25°C ambient temperature (calculated based on IESNA LM-80-08 LED test data). L70: ≥ 60 000hrs.
Finish: Standard natatorium powder coated finish in satin aluminum, white and black. Exceeds 4000 salt spray hours (ASTM B117). For custom colors,

contact factory.
Weight: 3 lb/ft
Mounting: Mounting brackets provided.
Drivers: Metalumen offers dimming* drivers as a standard on our entire LED product offering at 0-10V. Dimming range is 1%-100%. Power factor is > 90%. Class 2 rating. Drivers are integral. Consult factory for -40 drivers.

Approvals: All components are UL/ CSA/QPS recognized or listed. RoHS compliant. This product is cULus listed.
Environment: Suitable for wet locations -22°F / -30°C start ambient temperature. Suitable for natatorium environments.

**Standard drivers compatible with passive/sinking dimmers. Please contact Metalumen if active/sourcing dimmer support is required.*

WARRANTY

Metalumen will warrant defective luminaires for 5 years from date of purchase. Warranty is valid if luminaire is installed and used according to specification. If defective, Metalumen will send replacement boards or drivers at no cost along with detailed replacement instructions and instructions on how to return defective components to Metalumen.