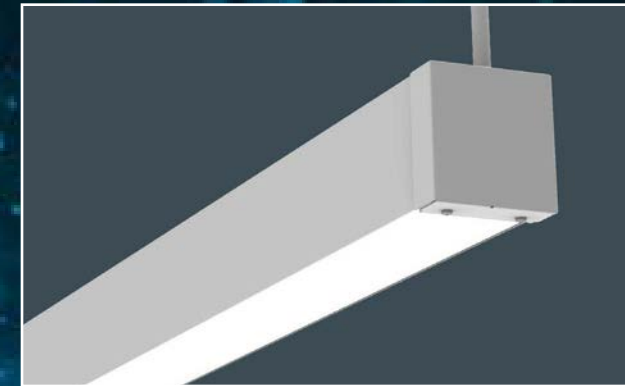




Lighting designed to withstand harsh environments

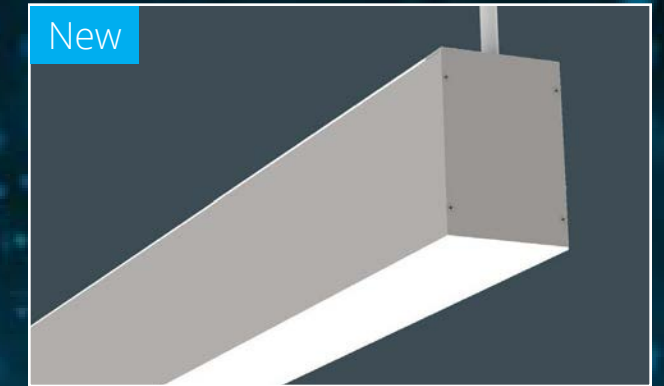
Different environments present their own set of atmospheric challenges, which is why Metalumen's Rail Wet Series luminaires have been thoughtfully designed and constructed so that they can perform their best even in these varying conditions.

The Products



Rail 4 Outdoor RM4DOD

- Direct
- Wet location rated
- 6 mounting options
- Mullion can be inverse mounted for indirect distribution
- IK10 rated
- Vandal resistant hardware



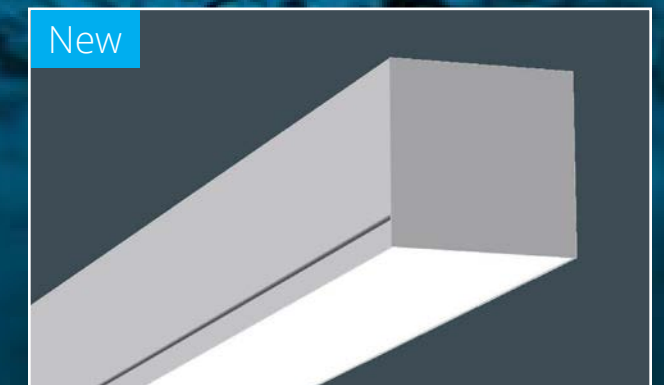
Rail 4 Wet S4W-D & S4W-DI

- Direct (S4W-D), Direct/Indirect (S4W-DI)
- Wet location and IP54 rated
- Continuous direct optics with no breaks
- Non-corrosive components
- Pending IK05 rating
- Standard natatorium finish



Rail 6 Metro S6M

- Direct
- IP65 rated
- 3G Vibration rated
- Sealed door design
- Vandal resistant hardware
- Standard natatorium finish



Rail 6 Wet S6W

- Direct
- Wet location and IP54 rated
- Non-corrosive components
- Pending IK05 rating
- Standard natatorium finish

The Offerings

Construction

Non-ferrous components are resistant to corrosion. Aluminum extrusion, reflectors, brackets and mullion blocks protect the luminaire in harsh environments when exposed to high humidity and wet weather conditions. Hardware and pendant stems are stainless steel.

Luminaire's Sealant Process

Highly durable, fully automated silicone foam gasket dispersion and continuous bead seals out dust and water. Guaranteed to last at least 20 years.

Standard voltage options UNV (120-277) and 347 are offered.

All components are UL/CSA/QPS recognized or listed. RoHS compliant.

Natatorium Finish

A thorough process that ensures another level of protection. Our powder coating system consists of a 5 stage pre-treatment cycle that includes washing, sealing and priming the material for the powder coating.

Salt Spray test

A piece of metal pretreated and painted by our paint line is cut to expose the bare metal, then placed inside an accelerated chamber exposing the metal to salt moisture where it is timed before it starts to corrode. Our test results exceeded 2,000 salt spray hours.

Optic System

Polycarbonate optics provide exceptional strength and durability. Polycarbonate optics system maintains rigidity in harsh environments and provides protection against vandalism and impact from flying objects. It is also crack resistant.

CRI & Lumen Maintenance

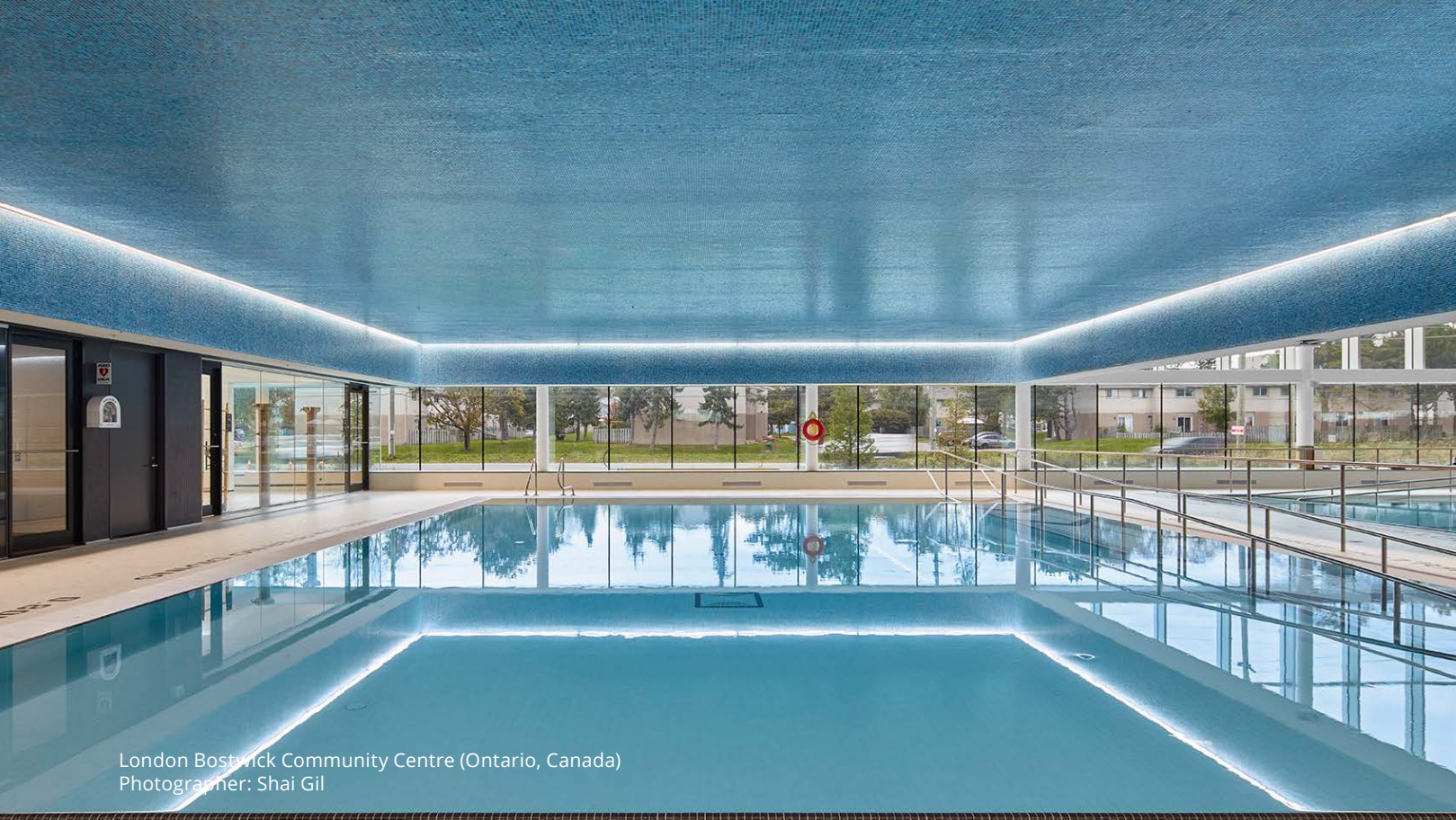
83+ for 3500K, 80 minimum for all CCTs in standard configurations. Minimum 50,000h with TM-21 lumen maintenance of 85% @ 25°C ambient temperature (calculated based on IESNA LM-80-08 LED test data).
L70: ≥ 60 000hrs.

Operating Environment

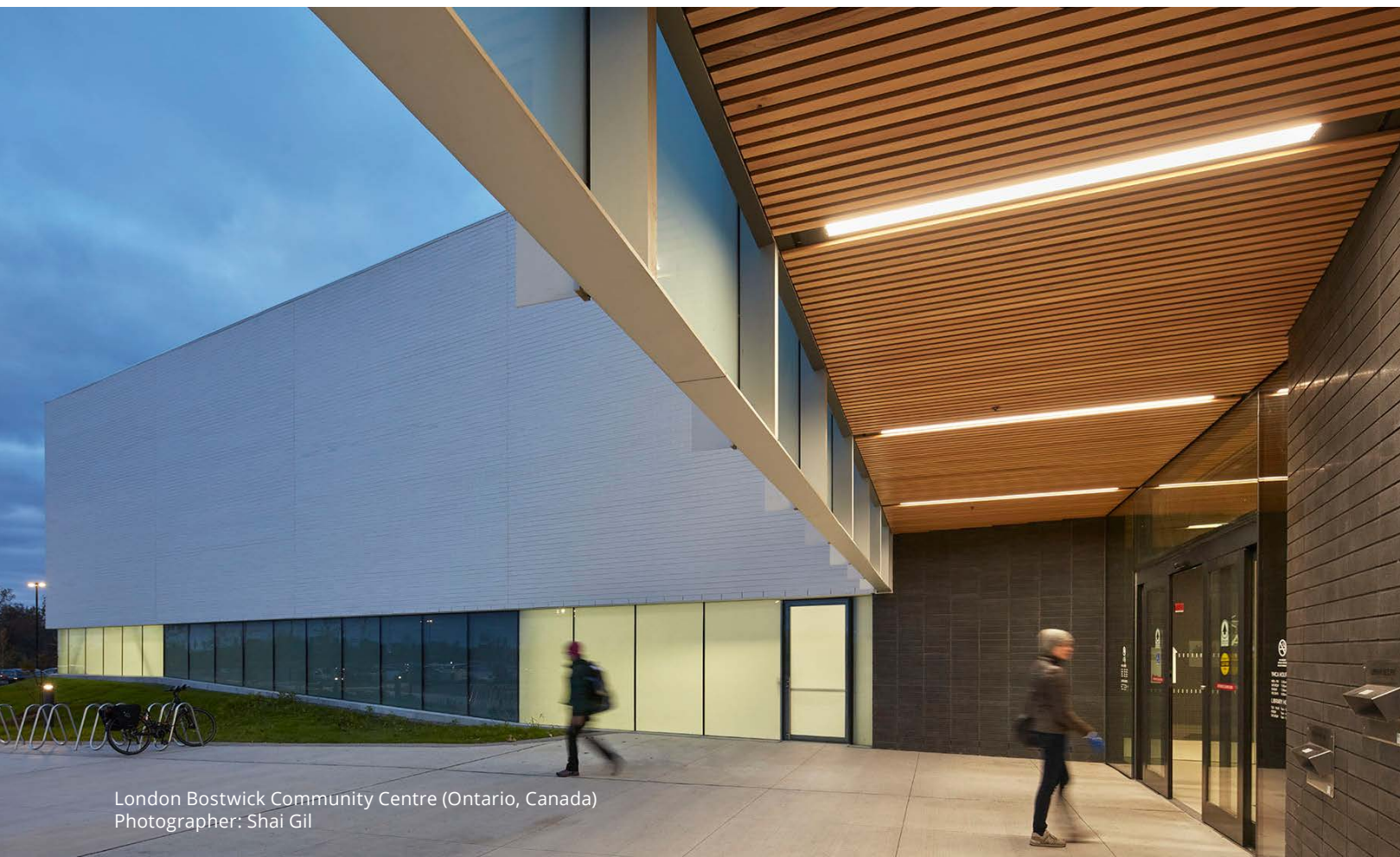
They come with standard 0-10V, 1% dimming driver and can operate in start ambient temps of -22°F / -30°C. Cold weather outdoor drivers are limited to temperatures down to -40°C.

Suitable Applications

Building exteriors, natatorium environments, health care labs, transit hubs



London Bostwick Community Centre (Ontario, Canada)
Photographer: Shai Gil

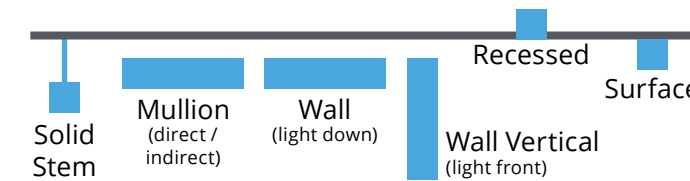


London Bostwick Community Centre (Ontario, Canada)
Photographer: Shai Gil

Rail 4 Outdoor RM4DOD

- Wet Location rated
- IK10 rated with polycarbonate lens only
- Vandal resistant hardware
- Inverse mullion mount option for indirect distribution
- Suitable for natatoriums and healthcare labs

Mounting:



Natatorium Finish:

Consult factory for custom color.

Housing: Rigid extruded aluminum body, 2.0mm (0.08") nominal wall thickness. Aluminum formed end caps.

Lengths: 2, 3, 4, 5, 6, 7, 8, 9, 10, 11, 12. Consult factory for continuous rows or custom lengths.

Patterns: Available for all mountings except Wall and Wall Vertical

Optics: Meta Blanc, Meta Ice, Polycarbonate

Light Level (lm/ft): 345, 431, 586, 1088
Consult factory for custom level

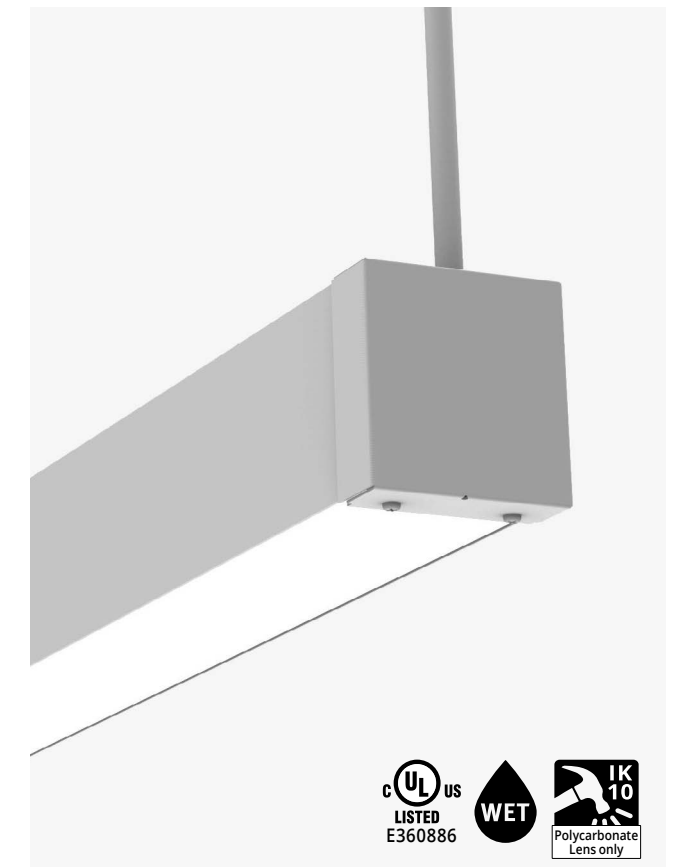
Circuitry: 1 Circuit, Emergency/Night Light (not available for 2ft), Emergency Battery Pack (limited to ambient temperatures above 0°C)

Options: 90 CRI, Vandal Resistant Hardware, Surge Protection, End Feed (Available for Solid Stem, Surface and Wall alone fixtures only)

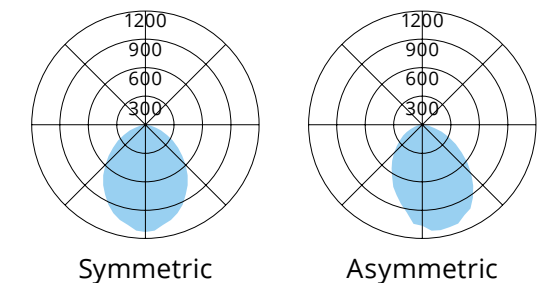
Weight: 2.1 kg/300mm [4.6 lb/ft]

Approvals: cULus listed.

Environment: Suitable for Wet Location -22°F / -30°C start ambient temperature. Suitable for natatorium environments. Cold weather outdoor drivers are limited to temperatures down to -40°C.

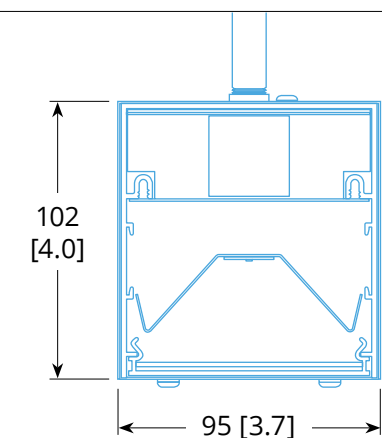


Distribution: Direct



Symmetric

Asymmetric

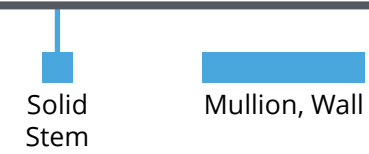




Rail 4 Wet S4W-DI

- IP54 and Wet Location rated
- Continuous direct optics with no visible breaks
- Constructed of non-corrosive components
- Standard natatorium finish
- Suitable for pool environments and building exteriors

Mounting:



Natatorium Finish:



Housing: Rigid extruded aluminum body, 2.0mm (0.08") nominal wall thickness. Aluminum formed end caps.

Lengths: 3, 4, 5, 6, 7, 8, 9, 10, 11, 12. Consult factory for continuous rows or custom lengths.

Optics (Up / Down): Meta Blanc / Meta Blanc

Light Level (lm/ft): 1000, 1500, 2000
Consult factory for custom level

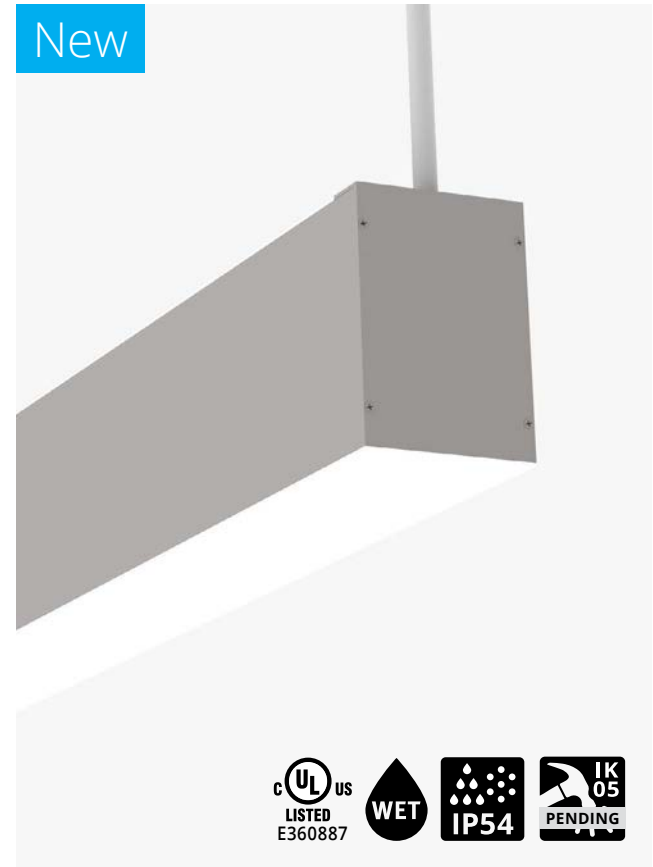
Circuitry: 1 Circuit, Up/Down Switching, Emergency/Night Light

Options: 90 CRI, Surge Protection, End Feed (for alone fixtures only)

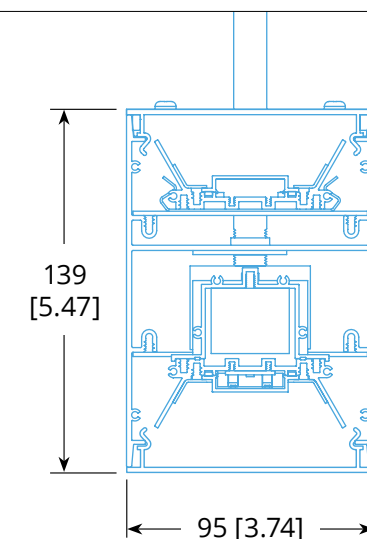
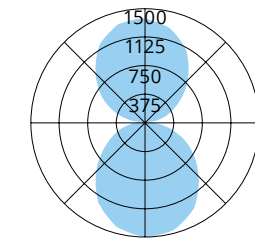
Weight: 2.1 kg/300mm [4.6 lb/ft]

Approvals: cULus listed.

Environment: Suitable for Wet Locations -22°F / -30°C start ambient temperature. Suitable for natatorium environments.



Distribution: Direct / Indirect

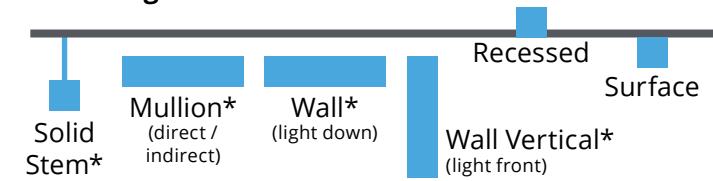




Rail 4 Wet S4W-D

- IP54 and Wet Location rated
- Continuous optics with no visible breaks
- Constructed of non-corrosive components
- Standard natatorium powder coated finish
- Suitable for piers, building exteriors, car garages

Mounting:



**Available soon*

Natatorium Finish:



Housing: Rigid extruded aluminum body, 2.0mm (0.08") nominal wall thickness. Aluminum formed end caps.

Lengths: 3, 4, 5, 6, 7, 8, 9, 10, 11, 12. Consult factory for continuous rows or custom lengths.

Optics: Meta Blanc, Polycarbonate

Light Level (lm/ft): 350, 500, 750, 1000
Consult factory for custom level

Circuitry: 1 Circuit, Emergency/Night Light

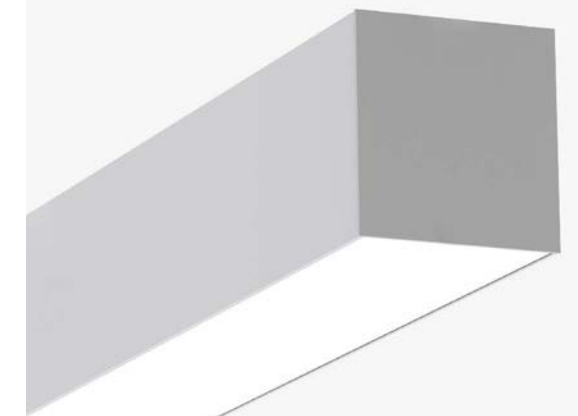
Options: 90 CRI

Weight: 3 lb/ft

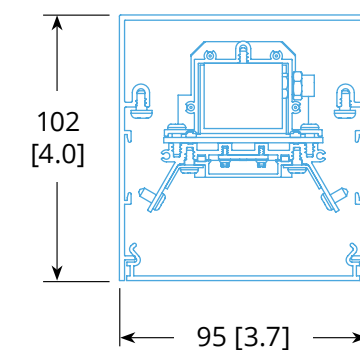
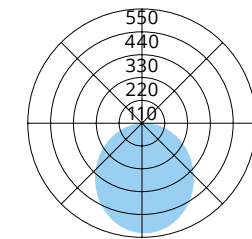
Approvals: Pending cULus listing

Environment: Suitable for Wet Locations -22°F / -30°C start ambient temperature. Suitable for natatorium environments.

New



Distribution: Direct

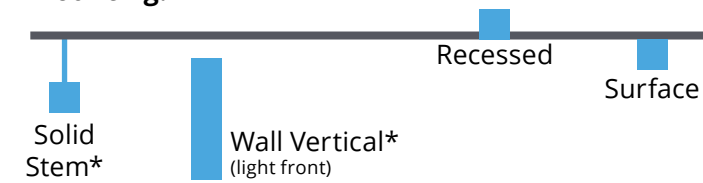




Rail 6 Wet S6W

- IP54 and Wet Location rated
- Constructed of non-corrosive components
- Standard natatorium powder coated finish
- Suitable for pedestrian overpass, stadiums, airports

Mounting:



**Available soon*

Natatorium Finish:



Housing: Rigid extruded aluminum body, 2.0mm (0.08") nominal wall thickness. Aluminum formed end caps.

Lengths: 3, 4, 5, 6, 7, 8, 9, 10, 11, 12. Consult factory for continuous rows or custom lengths.

Optics: Meta Blanc

Light Level (lm/ft): 350, 500, 750, 1000
Consult factory for custom level

Circuitry: 1 Circuit, Emergency/Night Light

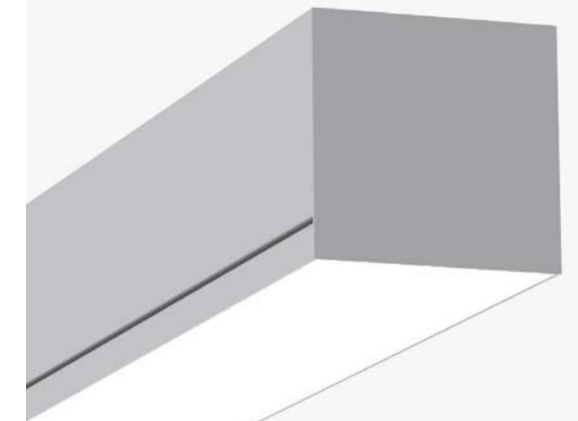
Options: 90 CRI

Weight: 3.5 lb/ft

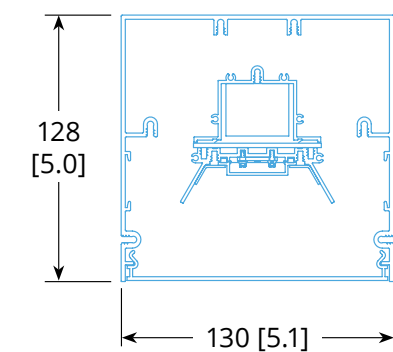
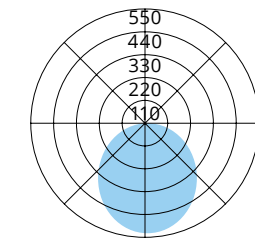
Approvals: Pending cULus listing

Environment: Suitable for Wet Locations -22°F / -30°C start ambient temperature. Suitable for natatorium environments.

New



Distribution: Direct

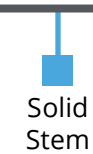




Rail 6 Metro S6M

- IP65 and 3G Vibration rated
- Sealed door design
- IK10 rating with polycarbonate lens only
- Vandal resistant hardware
- Suitable for various transit hubs

Mounting:



Natatorium Finish:



Housing: Rigid extruded aluminum body, 2.0mm (0.08") nominal wall thickness. Aluminum milled end caps.

Lengths: 4, 8, 12. Consult factory for continuous rows or custom lengths.

Optics: Meta Blanc, Meta Ice, Polycarbonate

Light Level (lm/ft): 350, 500, 750, 1000
Consult factory for custom level

Circuitry: 1 Circuit, Emergency/Night Light, Emergency Battery Pack (Limited to ambient temperatures above 0°C), Emergency Battery Pack for Cold Weather (Limited to ambient temperatures down to -20°C)

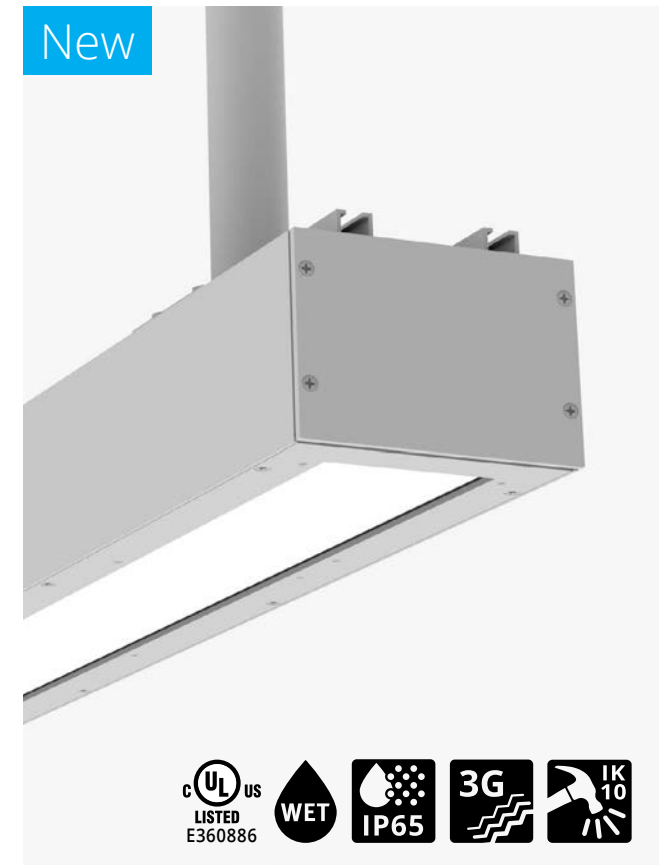
Options: 90 CRI, Surge Protection, End Feed (Available for alone fixtures only), Vandal Resistant Hardware

Weight: 2.4 kg/300mm [5.2 lb/ft]

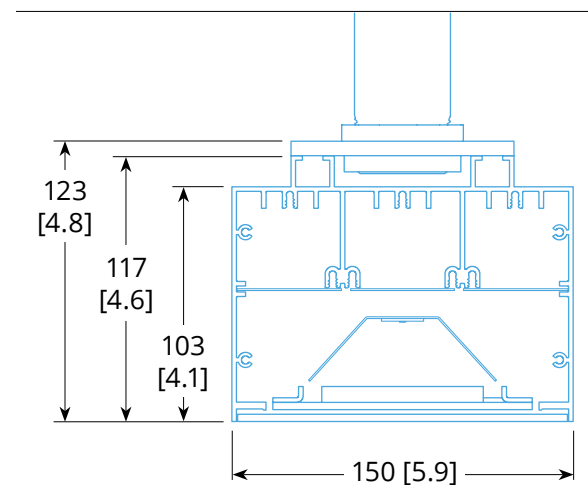
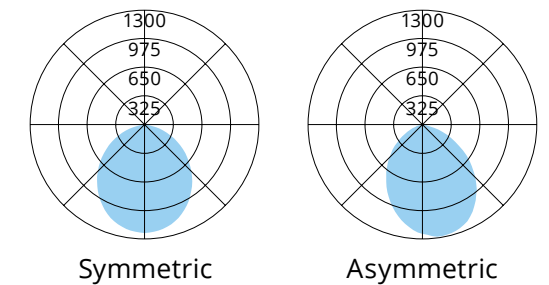
Approvals: cULus listed.

Environment: Suitable for Wet Location -22°F / -30°C start ambient temperature. Suitable for natatorium environments.

New



Distribution: Direct





Illuminate any
environment
with
Metalumen



Rail Wet Series

- Rail 4 Outdoor RM4DOD
- Rail 4 Wet S4W-D & S4W-DI
- Rail 6 Metro S6M
- Rail 6 Wet S6W