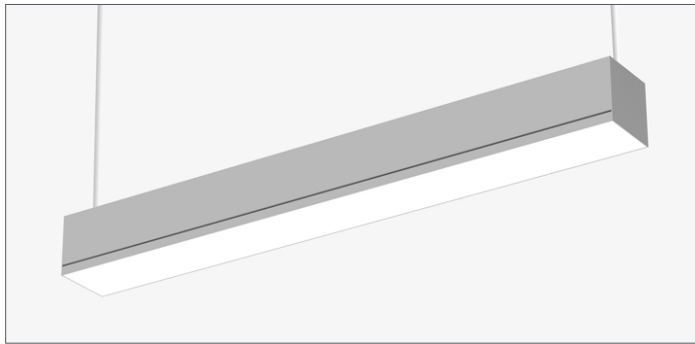


# RAIL 6 WET S6W

SOLID STEM . DIRECT



- Wet location and IP54 rated
- Continuous direct optics with no breaks
- Constructed of non-corrosive components
- Standard natorium powder coat finish

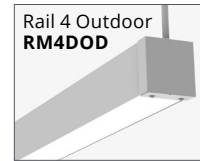


|                     |  |                    |  |
|---------------------|--|--------------------|--|
| PART #:             |  | DATE:              |  |
| PREP BY:            |  | QTY:               |  |
| PROJECT:            |  | NOTES:             |  |
| APPROVAL SIGNATURE: |  | DATE (DD/MM/YYYY): |  |

| PERFORMANCE SUMMARY @ 3500K |        | Meta Blanc (MB) |
|-----------------------------|--------|-----------------|
| Lumens per foot             | 80 CRI | 791             |
|                             | 90 CRI | 692             |
| Wattage per foot            |        | 8.6             |
| Efficacy (LPW)              | 80 CRI | 86              |
|                             | 90 CRI | 80              |
| L70 Estimate (h)            |        | ≥ 60,000 hrs    |

See page 2 for the complete Light Level Performance chart.

## OTHER RAIL WET SERIES PRODUCTS



## ORDERING LOGIC

Example Part Number: S6W-35K-8-MB-NW-1001-SS18-3-OO-90

| S6W   |  | MB  |   | SS  |   |
|---|--|---|---|---|---|
| 1   | 2  | 3   | 4   | 5   | 6   |
| 1. SERIES<br><b>S6W</b><br>Direct   | 2. COLOR TEMP<br><b>30K</b> 3000K<br><b>35K</b> 3500K<br><b>40K</b> 4000K<br><br>90 CRI is available under OPTIONS   | 3. LENGTH<br><b>3</b> 3 ft<br><b>4</b> 4 ft<br><b>5</b> 5 ft<br><b>6</b> 6 ft<br><b>7</b> 7 ft<br><b>8</b> 8 ft<br><b>9</b> 9 ft<br><b>10</b> 10 ft<br><b>11</b> 11 ft<br><b>12</b> 12 ft<br><b>RA</b> Continuous Rows (Replace "A" with length in feet)<br><b>C</b> Custom Length* | 4. PATTERN <sup>1</sup><br><b>GA</b> Square<br><b>GAxB</b> Rectangle<br><b>UAxBxC</b> U-Shape<br><b>LAxB</b> L-Shape<br><b>C</b> Custom Pattern*<br>_ None (leave space empty)<br><br>Standard Patterns Minimum Lengths<br><br>Square: A=4 ft min, B=4 ft min.<br>Rectangle: A=3 ft min, B=4 ft min, C=3 ft min.<br>U-Shape: A=3 ft min, B=4 ft min, C=3 ft min.<br>L-Shape: A=3 ft min, B=3 ft min.<br><br>Custom Patterns*<br>Lengths and a drawing of custom pattern are required on page 3<br><br>T-Shape<br>Cross/X<br><br>Select corner:<br>Outside 90°<br>Inside 90°<br> | 5. OPTICS<br><b>MB</b> Meta Blanc<br><br><br><br><br><br><br><br><br><b>Meta Blanc:</b> Opal diffuse                      | 6. FINISH<br><b>NSA</b> Satin Aluminum<br><b>NW</b> White<br><b>NB</b> Black<br><b>NC</b> Custom Specify RAL: |
| 7. LIGHT LEVEL / DRIVER<br><b>35</b> 350 lm/f<br><b>50</b> 500 lm/f<br><b>75</b> 750 lm/f<br><b>100</b> 1000 lm/f<br><b>C</b> Custom Range. Specify lumens:<br><br>(Total lumens between 350-1000 at 50 lm intervals)<br><br>Select Driver on next page. See Light Level Performance chart on p2. | 8. CIRCUITRY<br><b>1</b> 1 Circuit<br><b>EM</b> Emergency / Night Light<br><b>B</b> Emergency Battery Pack* (remote mounted) (Limited to ambient temperatures down to 0°C) | 9. MOUNTING<br><b>SSA</b> Solid Stem<br><br>Replace "A" with length in inches selected on p2.<br><br>Select Solid Stem Length, Canopy Finish & Power Cord Color on p2.  | 10. VOLTAGE<br><b>1</b> 120V<br><b>2</b> 277V<br><b>3</b> 347V<br><b>4</b> UNV (120 - 277V)   | 11. CONTROLS<br><b>OO</b> Outdoor Occupancy Sensor<br><b>DD</b> Outdoor Dusk to Dawn Sensor<br>_ None (leave space empty) | 12. OPTIONS<br><b>90</b> 90 CRI, High R9<br>_ None (leave space empty)  |

\*Consult factory. | <sup>1</sup>Pattern record drawings showing mounting locations will be sent out upon order.

- Select Driver:  Factory option 0-10V, 1% Dimming  
 **LHE** Lutron H-Series Hi-lume 1% EcoSystem LED Driver  
 **L5E** Lutron 5-Series EcoSystem LED Driver

Select Solid Stem Length - 1/2" OD Standard:

Standard supplied length is 18" (460mm). Hangers will be supplied at closest length. All other lengths are considered custom unless otherwise stated.

If no selection is made, 48" will be supplied.

| Select:                  | Imperial (in) | Metric (mm) |
|--------------------------|---------------|-------------|
| <input type="checkbox"/> | 12            | 305         |
| <input type="checkbox"/> | 15            | 380         |
| <input type="checkbox"/> | 18            | 460         |
| <input type="checkbox"/> | 21            | 533         |
| <input type="checkbox"/> | 24            | 610         |
| <input type="checkbox"/> | 27            | 685         |
| <input type="checkbox"/> | 30            | 760         |

| Select:                  | Imperial (in)                    | Metric (mm) |
|--------------------------|----------------------------------|-------------|
| <input type="checkbox"/> | 33                               | 840         |
| <input type="checkbox"/> | 36                               | 915         |
| <input type="checkbox"/> | 39                               | 990         |
| <input type="checkbox"/> | 42                               | 1067        |
| <input type="checkbox"/> | 45                               | 1145        |
| <input type="checkbox"/> | 48                               | 1220        |
| <input type="checkbox"/> | Custom Length (in inches): _____ |             |

Select Canopy Finish & Power Cord Color

| Canopy                                 | Power Cord                     |
|--|--------------------------------|
| <input type="checkbox"/> White         | <input type="checkbox"/> White |
| <input type="checkbox"/> Black         | <input type="checkbox"/> Black |
| <input type="checkbox"/> Custom Finish |                                |
| RAL: _____                             |                                |

Light Level Performance

3500K, 80 CRI, 0-10V Dimming

Lumen Adjustment Factor

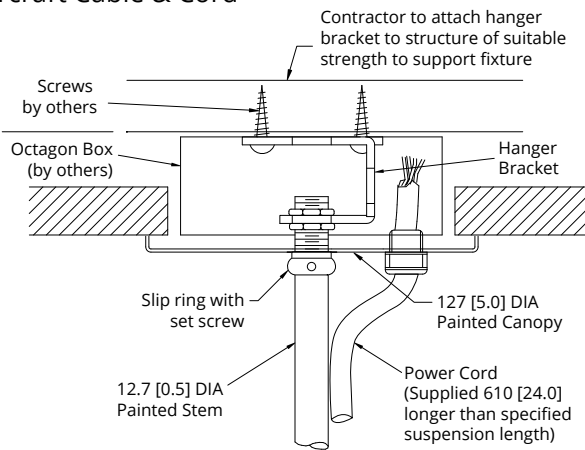
| Light Level | Meta Blanc (MB) |                  |                |
|-------------|-----------------|------------------|----------------|
|             | Lumens per foot | Wattage per foot | Efficacy (LPW) |
| 35          | 387             | 4.3              | 90             |
| 50          | 552             | 6.2              | 89             |
| 75          | 791             | 8.6              | 86             |
| 100         | 1010            | 12.3             | 82             |

| Color Temp | 80 CRI | 90 CRI |
|------------|--------|--------|
| 3000K      | 0.984  | 0.880  |
| 3500K      | 1.000  | 0.875  |
| 4000K      | 1.032  | 0.879  |

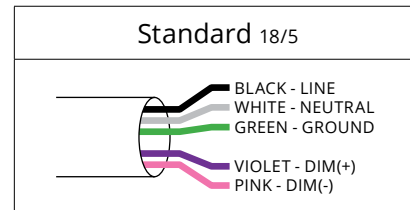
Metalumen's light level performance metrics are subject to manufacturers component tolerances.

HANGER

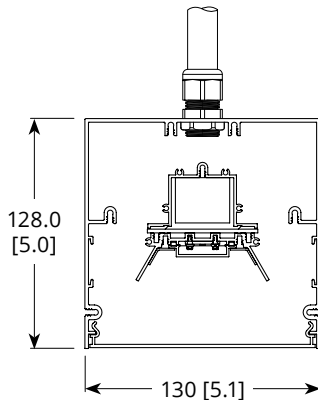
Aircraft Cable & Cord



WIRING



CROSS SECTION



## SPECIFICATIONS

Due to the Continuous Improvement Policy at Metalumen, we reserve the right to change our specifications without notice.

**Housing:** Rigid extruded aluminum body, 2.0mm (0.08") nominal wall thickness. Aluminum formed end caps.  
**Optical System:** Metalumen luminaires are designed to utilize leading edge LED technology combined with luminaire optimized reflectors and our custom diffusers, resulting in industry leading optical performance.  
**CRI:** 83+ for 3500K, 80 minimum for all

CCTs in standard configurations.  
**Lumen Maintenance:** Minimum 50,000h with TM-21 lumen maintenance of 85% @ 25°C ambient temperature (calculated based on IESNA LM-80-08 LED test data). L70: ≥ 60 000hrs.  
**Finish:** Standard natatorium powder coated finish in satin aluminum, white and black. For custom colors, contact factory.

**Weight:** 1.6 kg/300 mm [3.5 lb/ft]  
**Mounting:** Mounting rods provided by others.  
**Drivers:** Metalumen offers dimming\* drivers as a standard on our entire LED product offering at 0-10V. Dimming range is 1%-100%. Power factor is > 90%. Class 2 rating. Drivers are integral.  
**Approvals:** All components are UL/CSA/QPS recognized or listed. RoHS

compliant. This product is cULus listed.  
**Environment:** Suitable for wet locations -22°F / -30°C start ambient temperature. Suitable for natatorium environments.

*\*Standard drivers compatible with passive/sinking dimmers. Please contact Metalumen if active/sourcing dimmer support is required.*

## WARRANTY

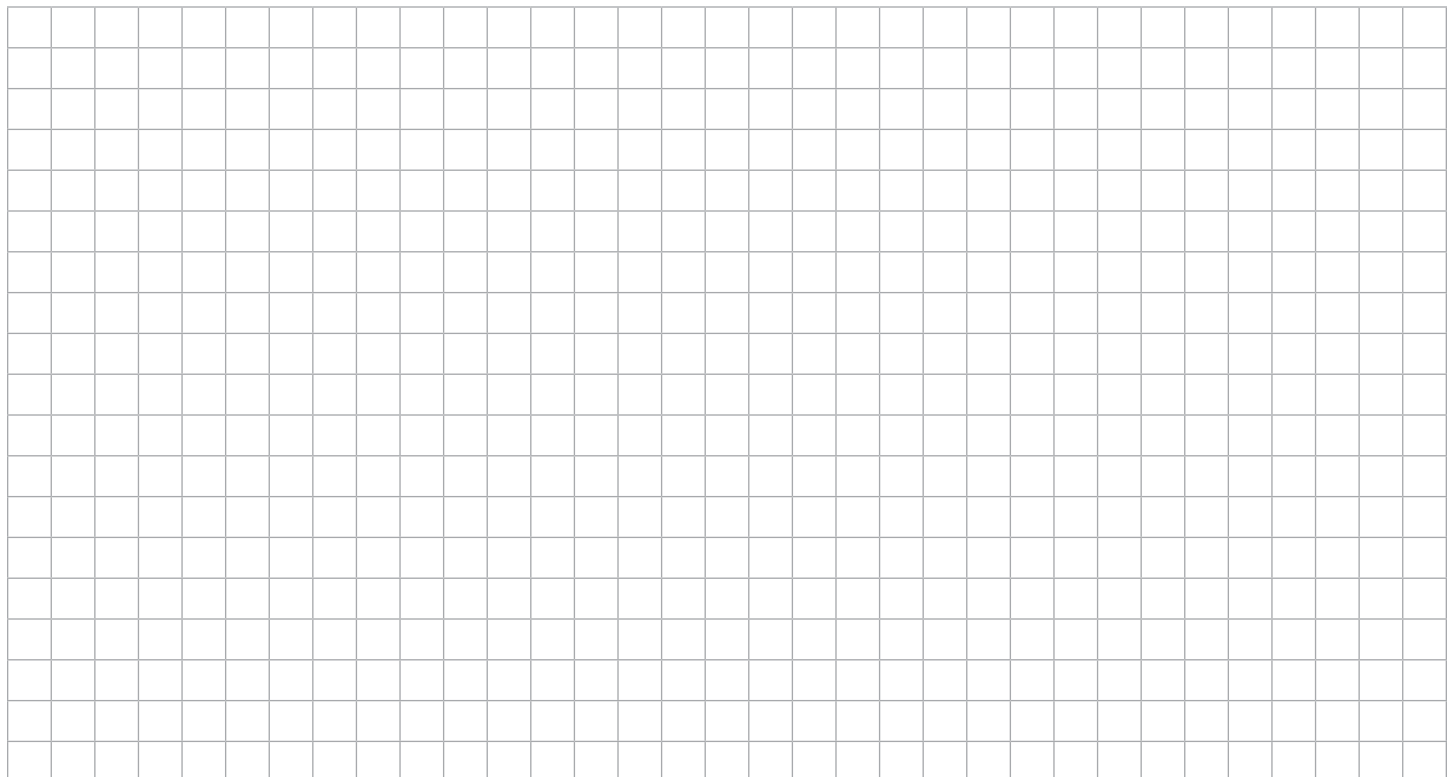
Metalumen will warrant defective luminaires for 5 years from date of purchase. Warranty is valid if luminaire is installed and used according to specification. If defective, Metalumen will send replacement boards or drivers at no cost along with detailed replacement instructions and instructions on how to return defective components to Metalumen.

## PATTERNS

| Select Pattern:               | <input type="checkbox"/> T-SHAPE (C) | <input type="checkbox"/> CROSS / X-SHAPE (C) |
|-------------------------------|--------------------------------------|--|
| Pattern Configuration         |                                      |  |
| Indicate Desired Lengths (ft) | Consult Factory                      |  |
| Minimum Lengths               | A = 3 ft    B = 6 ft                 | A = 6 ft    B = 6 ft                         |

**A custom pattern configuration drawing is required in the grid below**

Approval drawings will be sent out upon order showing mounting locations.



PHOTOMETRIC DATA - 3500K, 80 CRI

Optics: **Meta Blanc**  
 IES File: **S6W-35K-4-MB-75**  
 Lumens: **791/ft** Wattage: **8.1/ft**  
 Efficacy: **86 LPW**

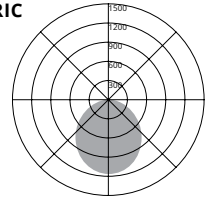
ZONAL LUMEN SUMMARY

| Zone   | Lumens | %Fixt |
|--------|--------|-------|
| 0-90   | 3164   | 100   |
| 90-180 | 0      | 0     |
| 0-180  | 3164   | 100   |

LUMINANCE DATA (CD/M2)

| Vertical Angle | Horizontal Angle |        |
|----------------|------------------|--------|
|                | 0/180            | 90/270 |
| 85             | 3994             | 5123   |
| 75             | 5180             | 5098   |
| 65             | 5801             | 5792   |
| 55             | 6243             | 6240   |
| 45             | 6622             | 6667   |

PHOTOMETRIC CURVE  
 100% Down



Photometric performance is measured and scaled in accordance with IESNA LM-79.