

**NOTE:** The following instructions provide general guidelines for product installation. For additional information consult the applicable electrical codes or contact factory directly for support before attempting anything with uncertainty.

**CAUTION:** Do not assemble fixture runs on floor.

**WARNING:** Risk of fire and electrical shock. **DISCONNECT POWER AT ELECTRICAL PANEL** before installing or servicing this product.

**GENERAL SAFETY INSTRUCTIONS:**

1. Read all instructions prior to installing this fixture.
2. This product must be installed in accordance with the applicable installation code by a person familiar with the construction and operation of the product and the hazards involved.
3. All wiring must be performed by a qualified electrician in accordance with national and local building and electrical codes.
4. This fixture must be suitably grounded for your protection against shock hazards and to assure proper operation.
5. Make sure that the power source conforms to the requirements of this fixture.

Specifications and design subject to change without notice.

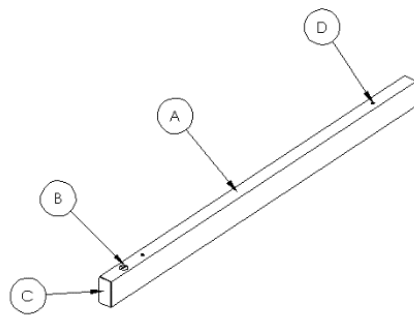
PARTS LIST

**MAIN PARTS**

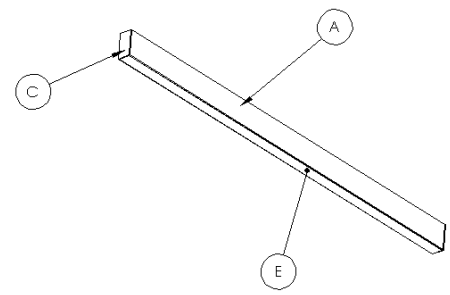
- A. Luminaire Enclosure
- B. Wire Entry Knockout
- C. End Plate
- D. Mounting Hole
- E. Lens

**OTHER PARTS**

- Reflector/LED board assembly



TOP VIEW



BOTTOM VIEW

REQUIRED TOOLS

DRILL	#8 PHILLIPS BIT	#8 PHILLIPS SCREWDRIVERS	WRENCH

**Important:** Use clean gloves to avoid adding oil/dirt to optics surface. Avoid scratching optics by using installation tools with soft plastic rounded edges

WIRING DIAGRAMS

STANDARD WIRING	WITH OPTIONAL EMERGENCY / NIGHT LIGHT
<ul style="list-style-type: none"> <li>BLACK - LINE</li> <li>WHITE - NEUTRAL</li> <li>BARE - GROUND</li> <li>VIOLET - DIM (+)</li> <li>PINK - DIM (-)</li> </ul>	<ul style="list-style-type: none"> <li>BLACK - LINE</li> <li>WHITE - NEUTRAL</li> <li>BARE - GROUND</li> </ul>

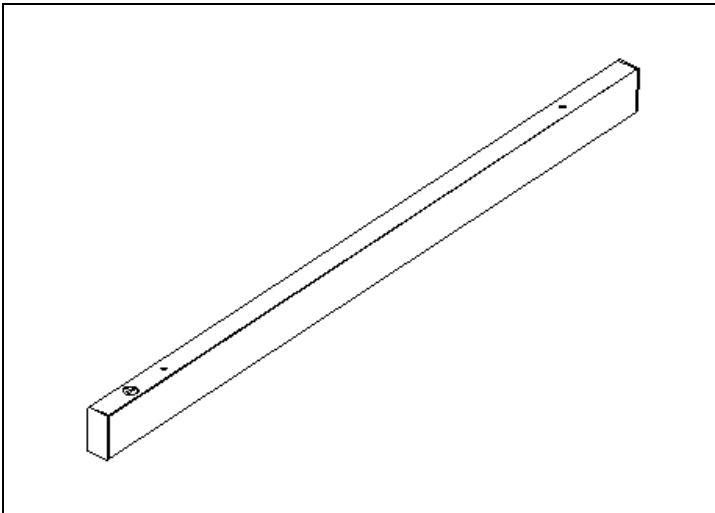
Specifications and design subject to change without notice.

**WITH OPTIONAL EMERGENCY BATTERY PACK**

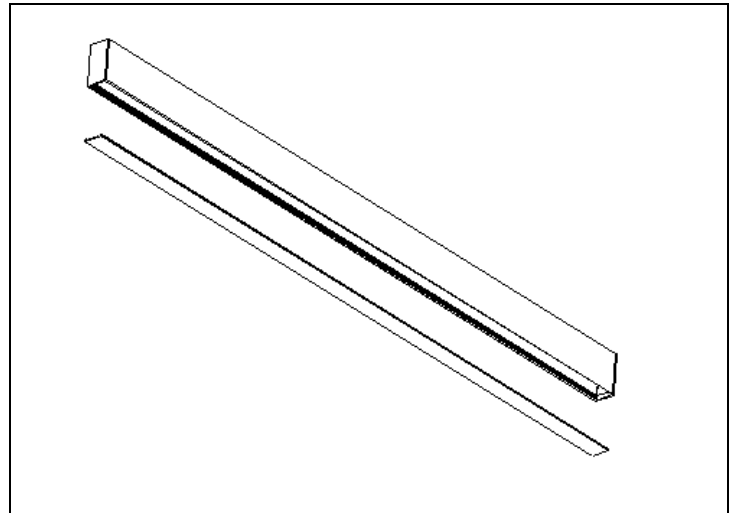


Specifications and design subject to change without notice.

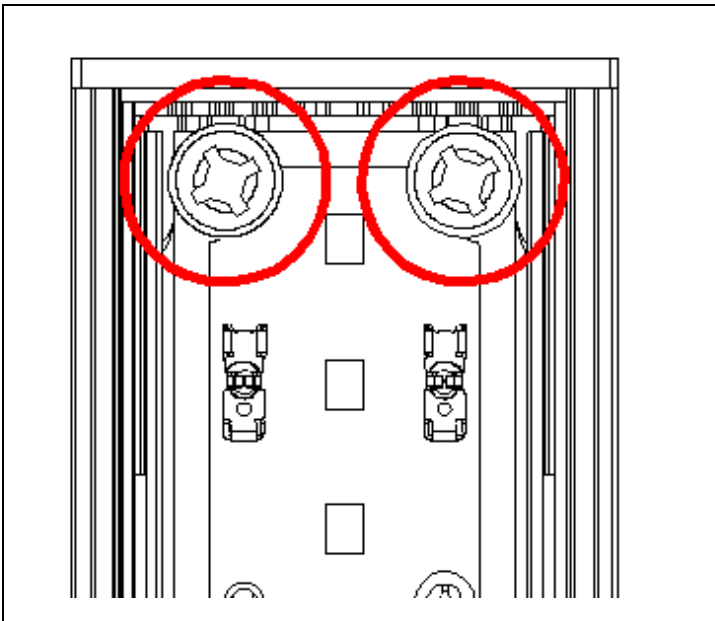
STEP-BY-STEP INSTRUCTIONS



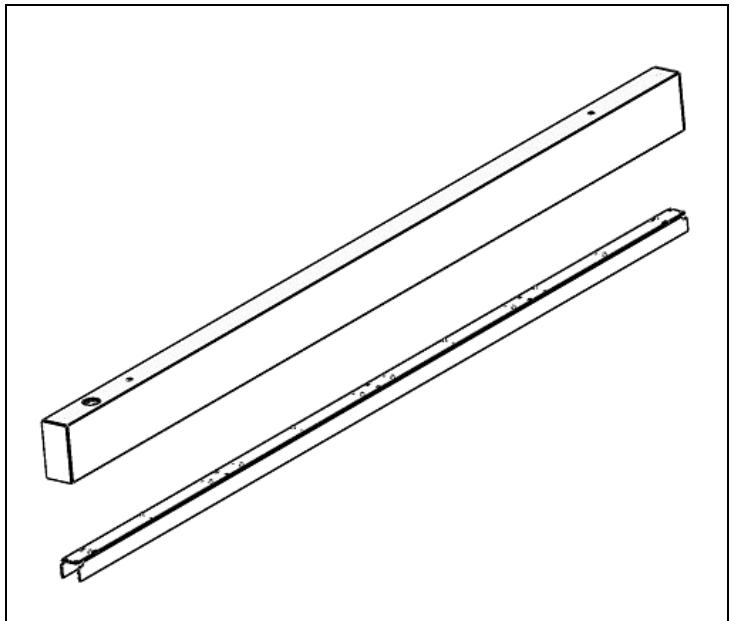
**STEP 1.** Remove fixture packaging.



**STEP 2.** Remove the lens from the fixture.

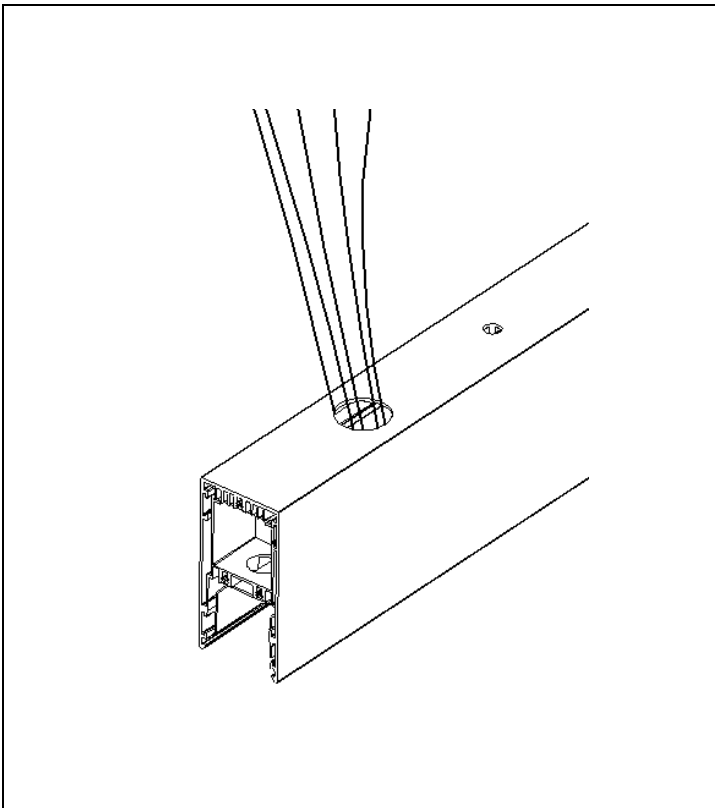


**STEP 3.** Unscrew the reflector assembly at both ends. Disconnect wires by twist and pull. Do not hang the reflector assembly by wire.

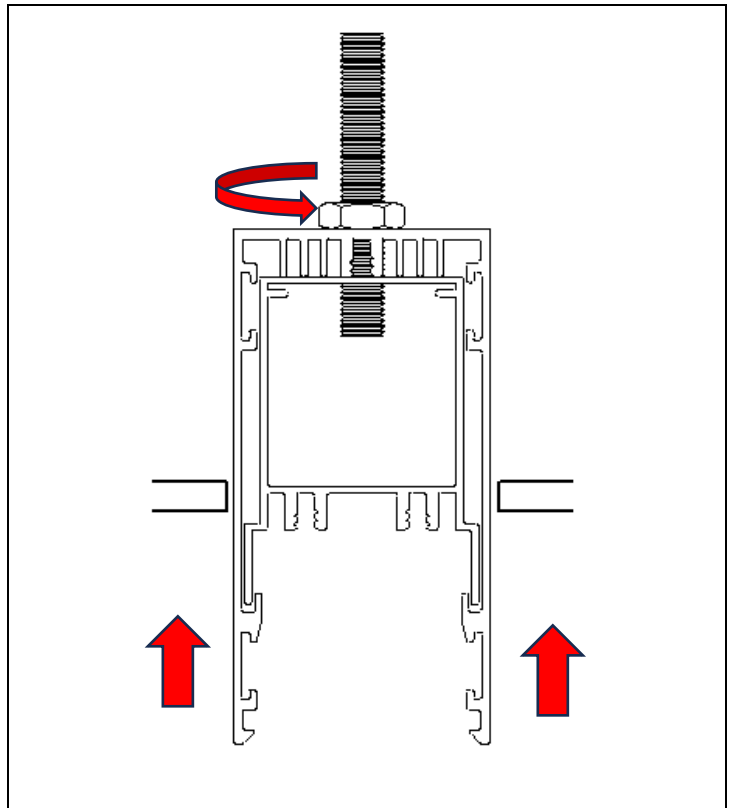


**STEP 4.** Remove the reflector assembly.

Specifications and design subject to change without notice.

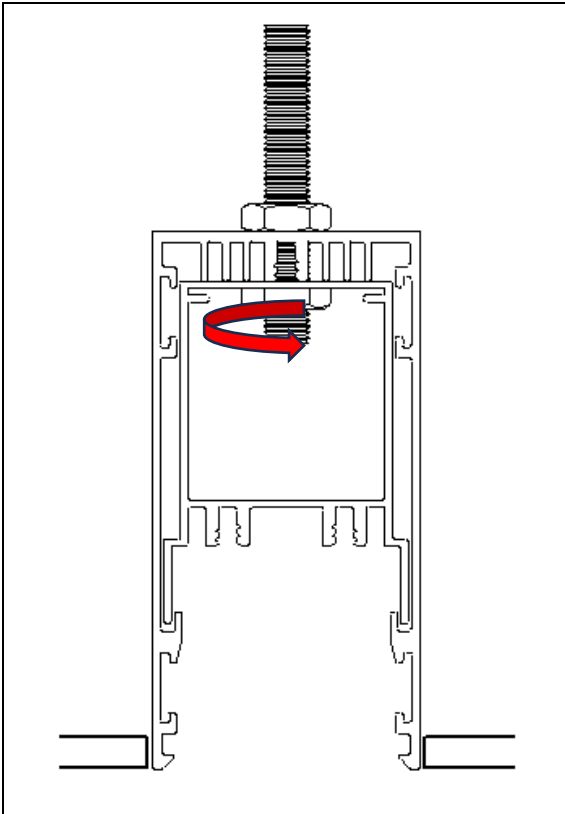


**STEP 5.** Terminate wires between junction box and luminaire.

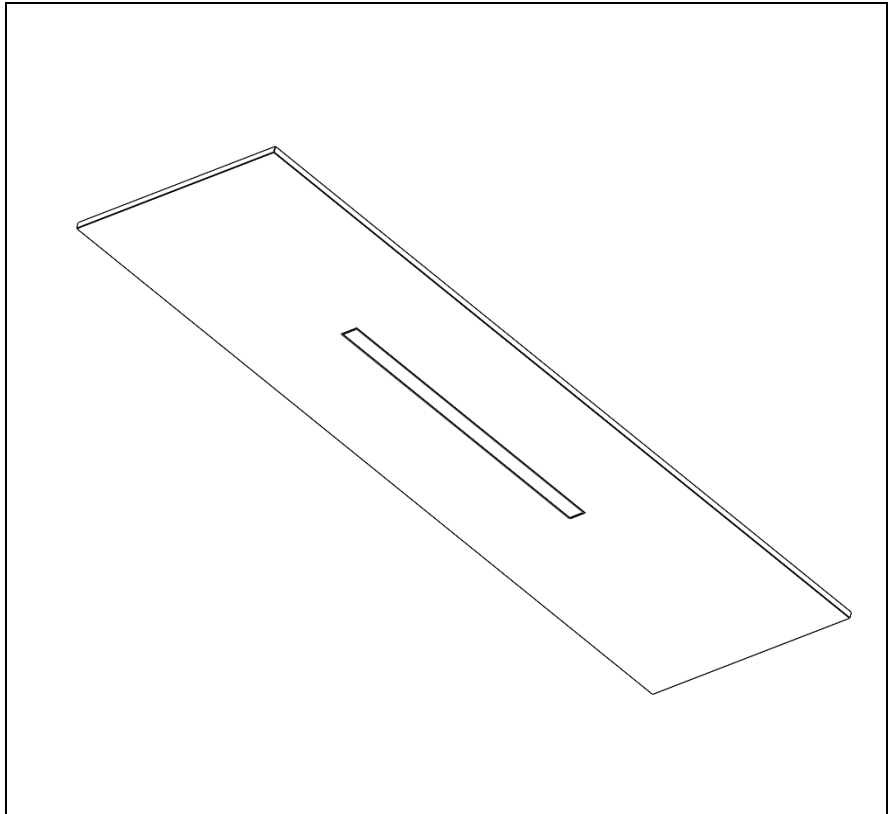


**STEP 6.** Feed threaded mounting rod (supplied by others) through mounting locations and adjust nut to ensure fixture is parallel to drywall. Insert the fixture all the way through the opening in the ceiling.

Specifications and design subject to change without notice.



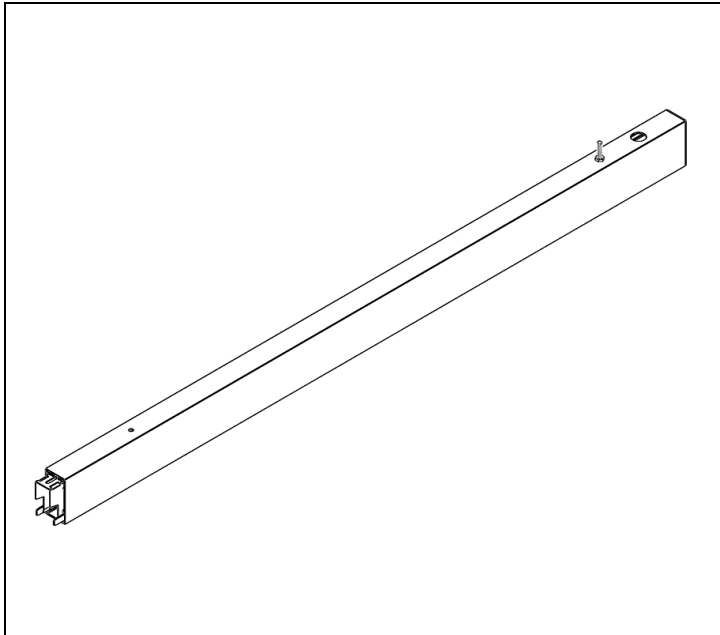
**STEP 7.** Once fixture is parallel with drywall, insert the second nut (supplied by others) through the fixture and fasten the fixture in place. Repeat steps 6 & 7 with remaining mounting locations until fixture is parallel along entire length.



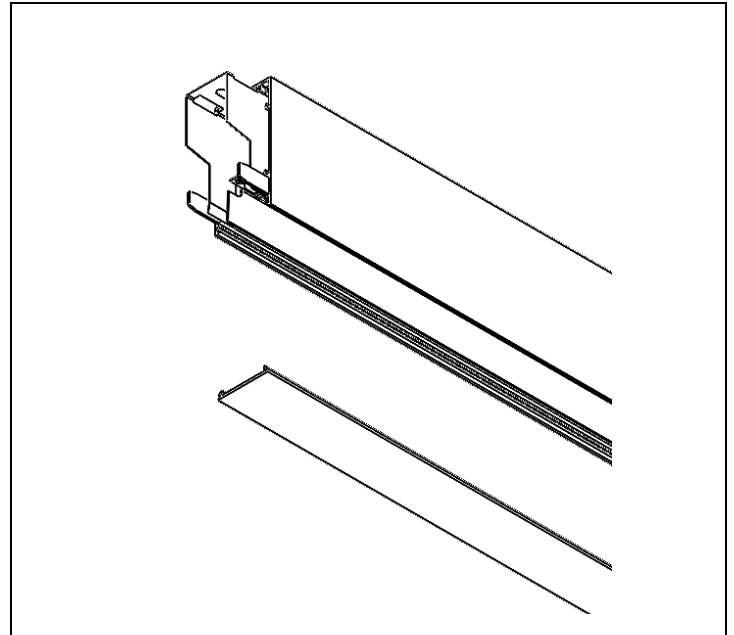
**STEP 8.** Reconnect wires and reattach reflector assembly using screws and plastic washers. (Do not use screws without plastic washers.) Reinstall lens to complete the installation.

Specifications and design subject to change without notice.

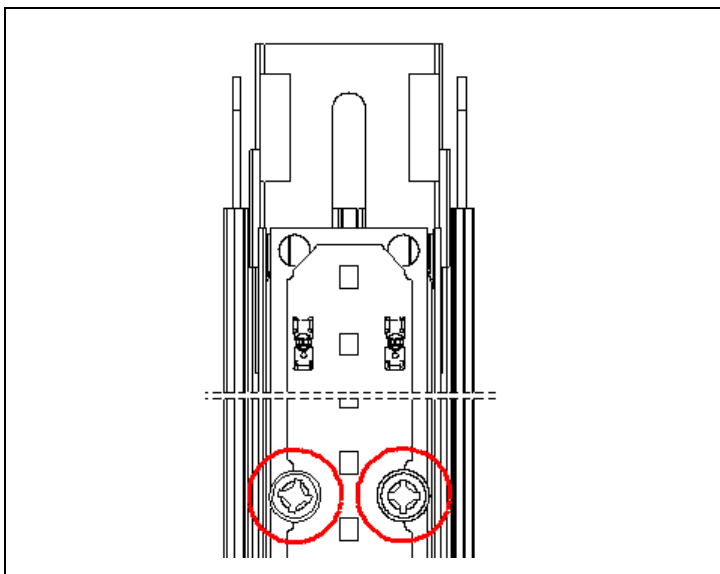
JOINING INSTRUCTIONS



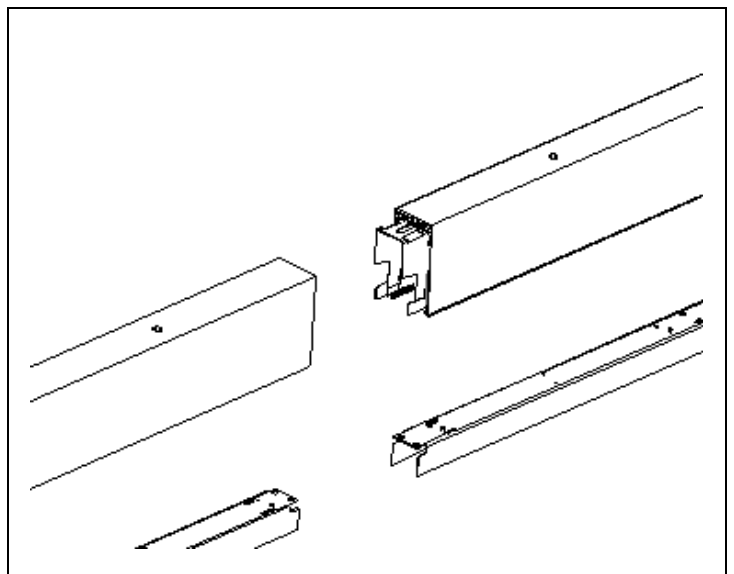
**STEP 1.** For continuous runs, install Start fixture first (as per standard installation instructions). Do not apply power. Do not install lens and joining end reflector assembly. Access in this area will be required for joining.



**STEP 2.** Remove the lens from next fixture to be joined.

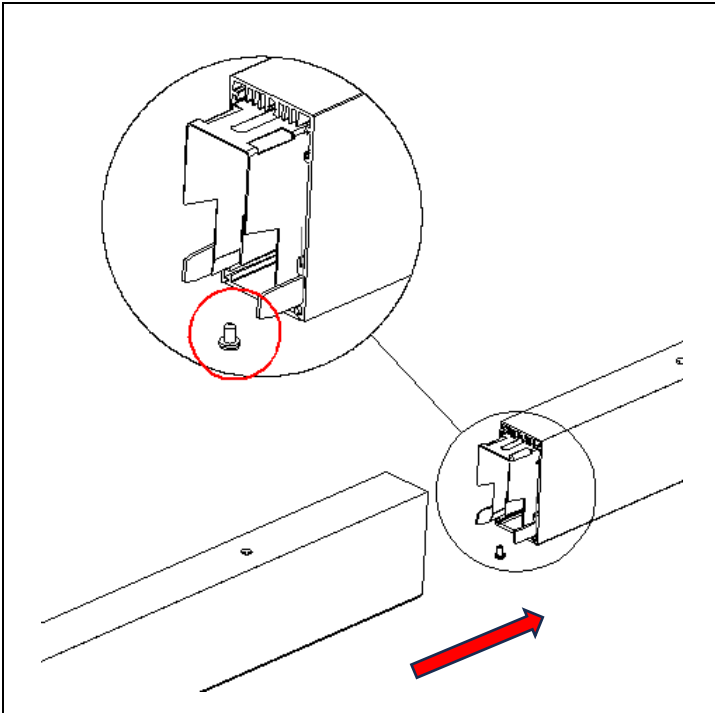


**STEP 3.** Unscrew the reflector assembly at the joining end for the next fixture to be installed.

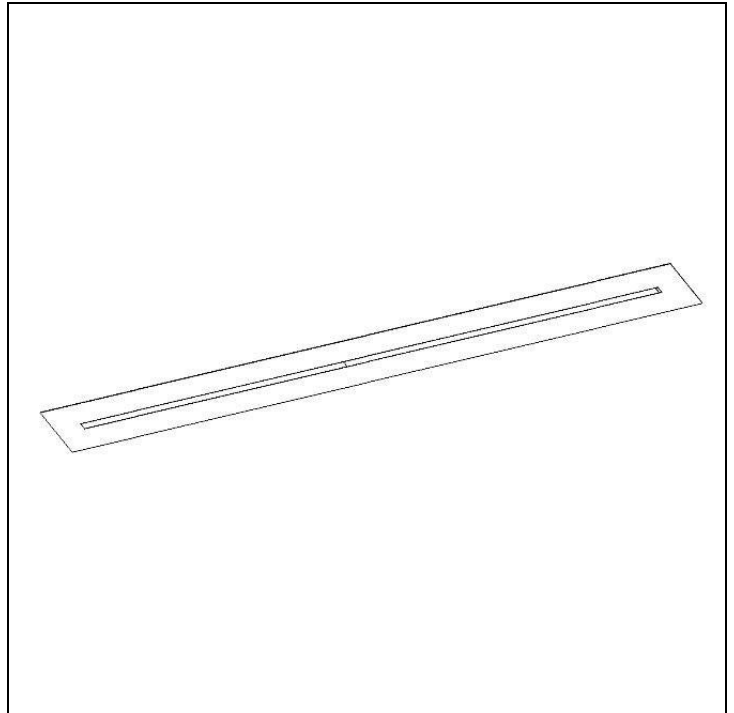


**STEP 4.** Remove reflector assembly on joining end to access the joining brackets.

Specifications and design subject to change without notice.



**STEP 5.** Align mid/end fixture and slide it into place. Secure with joining hardware. Perform necessary wiring between fixtures. Reinstall reflector assembly and lens in both fixtures.



**STEP 6.** Example of completed continuous run.

Specifications and design subject to change without notice.

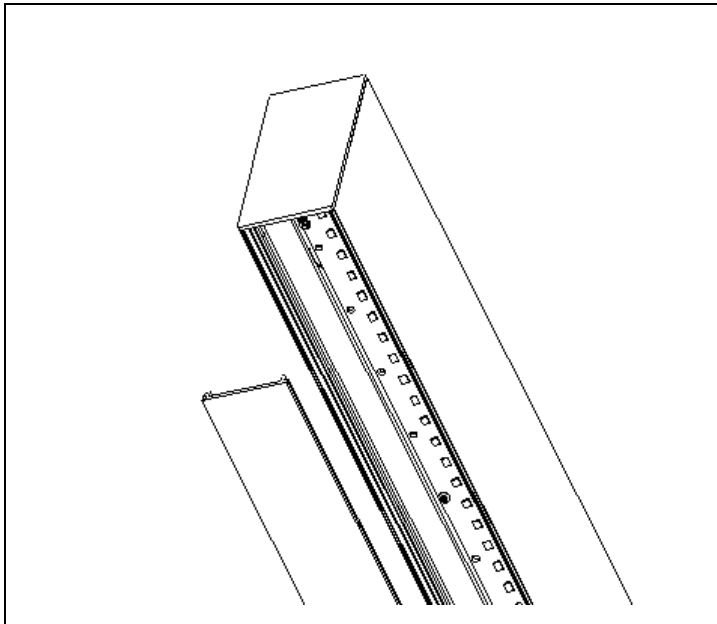


MAINTENANCE

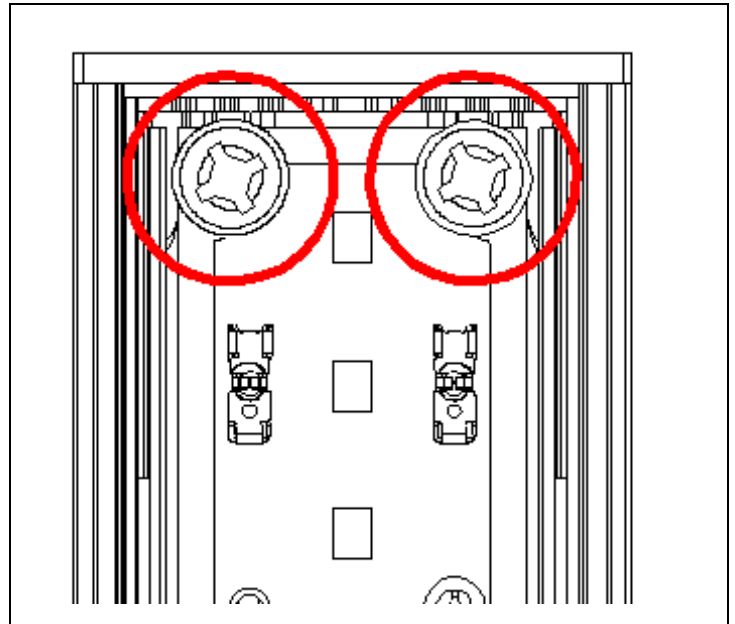
**REQUIRED TOOLS:**

- Plastic / Latex Gloves
- Screwdriver

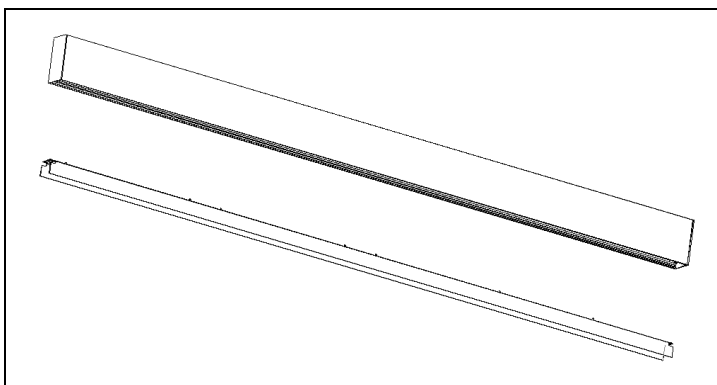
**Important:** Use clean gloves to avoid adding oil/dirt to reflector surface. Avoid scratching reflector surface by using installation tools with soft plastic rounded edges.



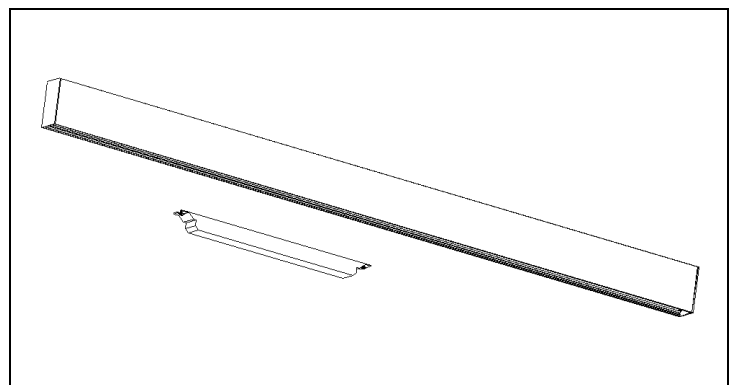
**STEP 1.** For LED board maintenance, remove the lens from the bottom of the unit. The LED boards are now accessible.



**STEP 2.** For driver maintenance, unscrew the reflector assembly at both ends. Disconnect wires by twist and pull. Do not hang the reflector assembly by wire.



**STEP 3.** Remove reflector assembly from unit.



**STEP 4.** Remove and service driver as required.

Specifications and design subject to change without notice.

Specifications and design subject to change without notice.