



NOTE: The following instructions provide general guidelines for product installation. For additional information consult the applicable electrical codes or contact factory directly for support before attempting anything with uncertainty.

CAUTION: Do not assemble fixture runs on floor.

WARNING: Risk of fire and electrical shock. **DISCONNECT POWER AT ELECTRICAL PANEL** before installing or servicing this product.

GENERAL SAFETY INSTRUCTIONS:

1. Read all instructions prior to installing this fixture.
2. This product must be installed in accordance with the applicable installation code by a person familiar with the construction and operation of the product and the hazards involved.
3. All wiring must be performed by a qualified electrician in accordance with national and local building and electrical codes.
4. This fixture must be suitably grounded for your protection against shock hazards and to assure proper operation.
5. Make sure that the power source conforms to the requirements of this fixture.

Specifications and design subject to change without notice.

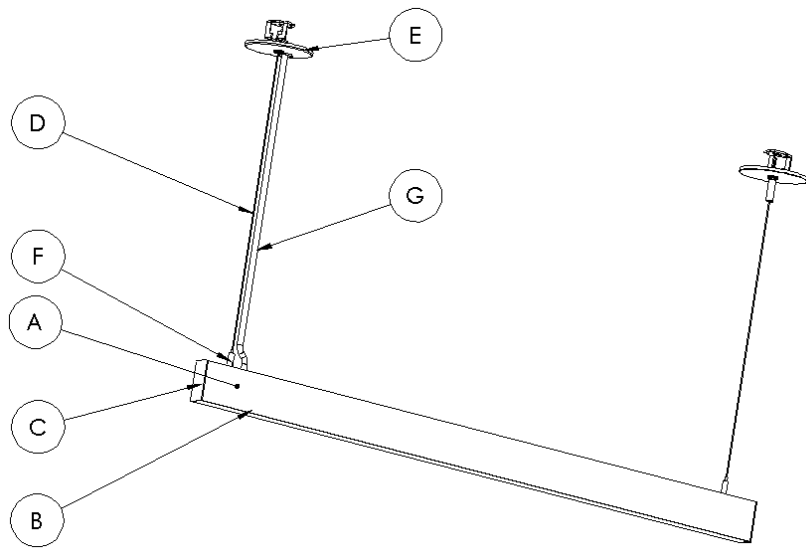
PARTS LIST

MAIN PARTS

- A. Luminaire Enclosure
- B. Lens
- C. End Cap
- D. Aircraft Cable
- E. Canopy
- F. Hanger Bracket
- G. Power Cord

OTHER PARTS

- Reflector/LED board assembly



REQUIRED TOOLS

DRILL	#8 PHILLIPS BIT	#8 PHILLIPS SCREWDRIVER	WRENCH

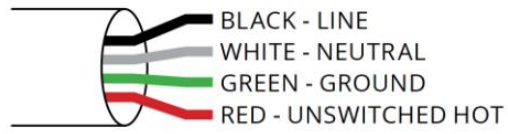
Important: Use clean gloves to avoid adding oil/dirt to optics surface. Avoid scratching optics by using installation tools with soft plastic rounded edges

WIRING DIAGRAMS

STANDARD WIRING	WITH OPTIONAL EMERGENCY / NIGHT LIGHT
<ul style="list-style-type: none"> BLACK - LINE WHITE - NEUTRAL GREEN - GROUND RED - CAPPED/SW LEAD VIOLET - DIM(+) PINK - DIM(-) 	<ul style="list-style-type: none"> BLACK - LINE WHITE - NEUTRAL GREEN - GROUND RED - CAP OFF

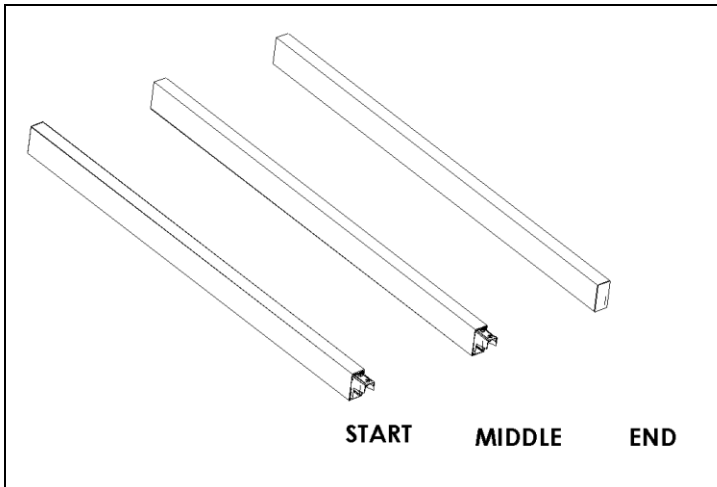
Specifications and design subject to change without notice.

WITH OPTIONAL EMERGENCY BATTERY PACK

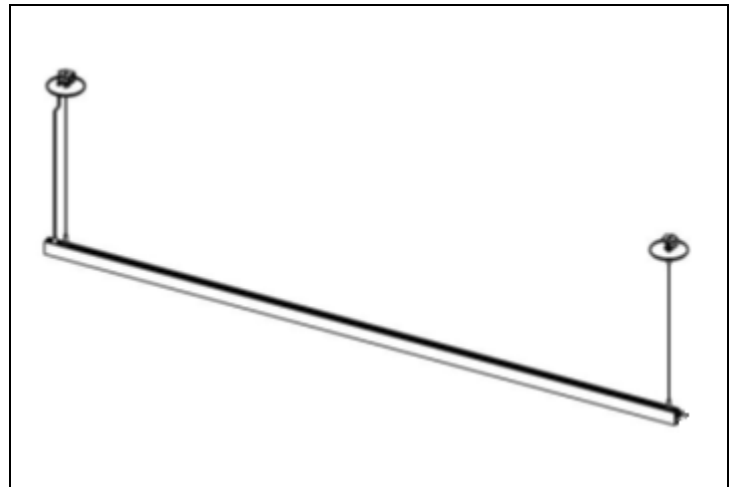


Specifications and design subject to change without notice.

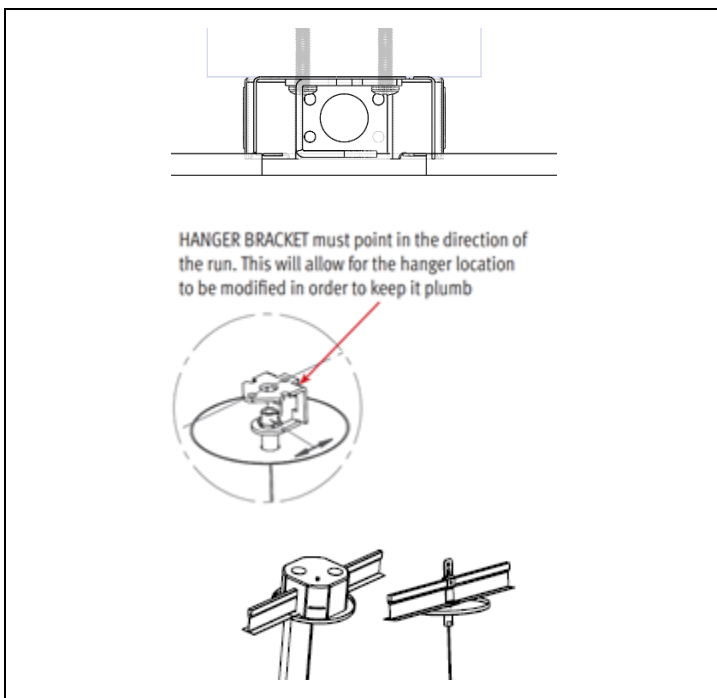
JOINING INSTRUCTIONS



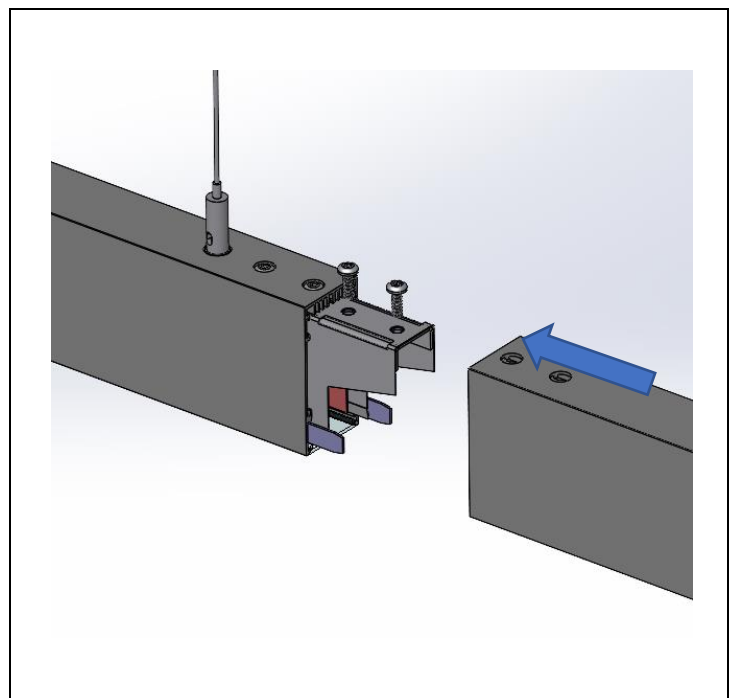
STEP 1. Remove fixture packaging; note marked supply wires coming out at the back of the luminaire.



STEP 2. Install Start fixture first (as per standard installation instructions). Do not apply power.

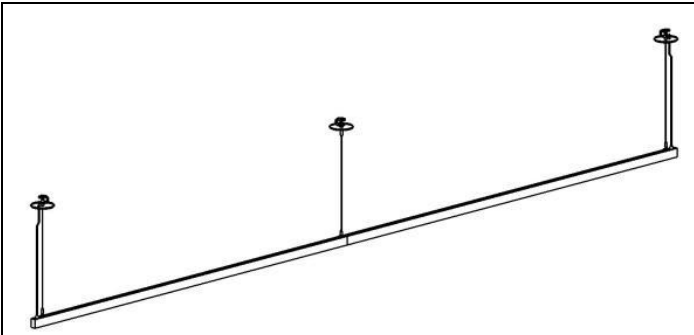


STEP 3. Install hanger brackets for the next fixture. Ensure bracket orientation is pointed along the run direction to allow for adjustment.



STEP 4. Make the wire connections. Align the mid/end fixture to the joint and slide it into place. Secure the joiner bracket with the provided screws (qty. 2).

Specifications and design subject to change without notice.



STEP 5. Proceed with steps 1-4 for all remaining fixtures to be joined. Example of a complete run.

Specifications and design subject to change without notice.