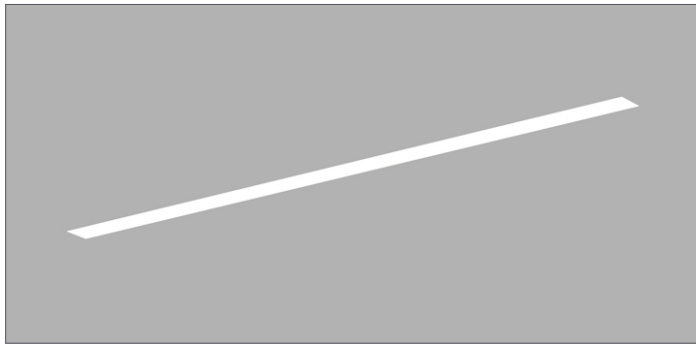


RAIL 2 WET S2WD

RECESSED FLANGELESS . DIRECT



- 2.4 inch wide profile
- Continuous direct optics with no breaks
- Constructed of corrosion resistant components
- Standard natatorium powder coat finish



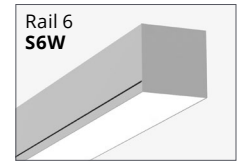
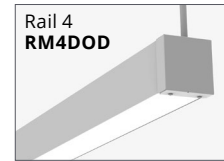
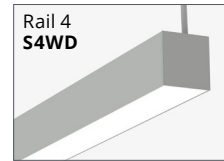
PART #:		DATE:	
PREP BY:		QTY:	
PROJECT:		NOTES:	
APPROVAL SIGNATURE:		DATE (DD/MM/YYYY):	

PERFORMANCE SUMMARY @ 3500K

		Meta Blanc (MB)
Light Level		50
Lumens per foot	80 CRI	526
	90 CRI	460
Wattage per foot		5.8
Efficacy	80 CRI	91
	90 CRI	79
L70 Estimate (h)		≥ 60,000 hrs

See complete Light Level Performance on p2

OTHER RAIL WET SERIES PRODUCTS



ORDERING LOGIC

Example Part Number: S2WD-35K-8-MB-NW-901-DF-4

S2WD				MB				RF			
1	2	3	4	5	6	7	8	9	10	11	12

1. SERIES	2. COLOR TEMP	3. LENGTH	4. PATTERN ¹	5. OPTICS	6. FINISH
S2WD Direct	30K 3000K 35K 3500K 40K 4000K	2 2 ft 3 3 ft 4 4 ft 5 5 ft 6 6 ft 7 7 ft 8 8 ft 9 9 ft 10 10 ft 11 11 ft 12 12 ft RA Continuous Rows (Replace "A" with length in feet) C Custom Length*	GA Square GAxB Rectangle UAxBxC U-Shape LAxB L-Shape C Custom Pattern* _ None (leave space empty)	MB Meta Blanc	NSA Satin Aluminum NW White NB Black NC Custom Specify RAL:
	90 CRI is available under OPTIONS		Standard Patterns Minimum Lengths Square: A=4 ft min., B=4 ft min. Rectangle: A=4 ft min., B=4 ft min. U-Shape: A=3 ft min., B=4 ft min., C=3 ft min. L-Shape: A=3 ft min., B=3 ft min.	MB: Acrylic opal diffuse lens	
			Custom Patterns* T-Shape Cross / X	Select corner: Outside 90° Inside 90°	
7. LIGHT LEVEL / DRIVER	8. CIRCUITRY	9. MOUNTING	10. VOLTAGE	11. CONTROLS	12. OPTIONS
35 350 lm/f 90 900 lm/f 50 500 lm/f	1 1 Circuit EM Emergency / Night Light B Emergency Battery Pack ² (remote mounted) (Limited to ambient temperatures down to 0°C)	DF Recessed Flangeless	3 347 V 4 UNV (120 - 277V)	_ None (leave space empty)	90 90 CRI, High R9 _ None (leave space empty)
C Custom Range. Specify lumens: (Total lumens between 350-900 at 50 lm intervals) Select Driver below. See Light Level Performance chart on p2.					

*Consult factory. | ¹ Pattern record drawings showing mounting locations will be sent out upon order. | ² Battery is remote for 2-3 ft lengths. Battery is integral for 4 ft lengths and longer.

Select Driver: Factory options 0-10V, 1% Dimming
 D2 DALI
 Consult factory for -40 drivers.

LIGHT LEVEL PERFORMANCE

3500K, 80 CRI, 0-10V Dimming (Standard)

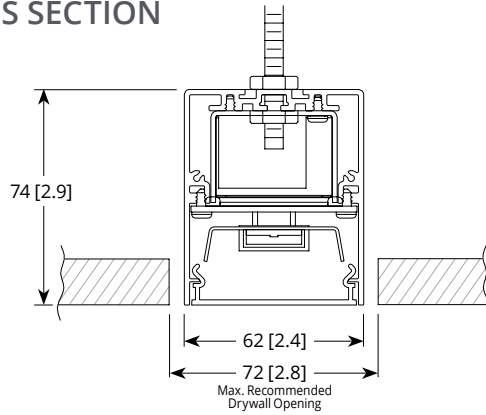
Lumen Adjustment Factor (Standard)

Light Level	Meta Blanc (MB)		
	Lumens per foot	Wattage per foot	Efficacy (LPW)
35	395	4.3	92
50	526	5.8	91
90	942	12.0	79

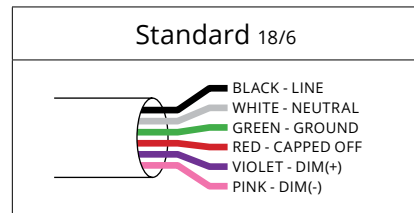
Color Temp	80 CRI	90 CRI
3000K	0.984	0.880
3500K	1.000	0.875
4000K	1.032	0.879

Metalumen's light level performance metrics are subject to manufacturers component tolerances.

CROSS SECTION



WIRING



SPECIFICATIONS

Due to the Continuous Improvement Policy at Metalumen, we reserve the right to change our specifications without notice.

Housing: Rigid extruded aluminum body, 2.0mm (0.08") nominal wall thickness. Aluminum formed end caps.
Optical System: Metalumen luminaires are designed to utilize leading edge LED technology combined with luminaire optimized reflectors and our custom diffusers, resulting in industry leading optical performance.
CRI: 83+ for 3500K, 80 minimum for all CCTs in standard configurations.

Lumen Maintenance: Minimum 50,000h with TM-21 lumen maintenance of 85% @ 25°C ambient temperature (calculated based on IESNA LM-80-08 LED test data). L70: ≥ 60 000hrs.
Finish: Standard natatorium powder coated finish in satin aluminum, white and black. Exceeds 4000 salt spray hours (ASTM B117). For custom colors, contact factory.
Weight: 2 lb/ft

Mounting: Holes on extrusion for threaded rods (by others).
Drivers: Metalumen offers dimming* drivers as a standard on our entire LED product offering at 0-10V. Dimming range is 1%-100%. Power factor is > 90%. Class 2 rating. Drivers are integral. Consult factory for -40 drivers.
Approvals: All components are UL/CSA/QPS recognized or listed. RoHS compliant. Pending cULus listing.

Pending IK10 rating.
Environment: Suitable for wet locations -22°F / -30°C start ambient temperature. Suitable for natatorium environments.

**Standard drivers compatible with passive/sinking dimmers. Please contact Metalumen if active/sourcing dimmer support is required.*

WARRANTY

Metalumen will warrant defective luminaires for 5 years from date of purchase. Warranty is valid if luminaire is installed and used according to specification. If defective, Metalumen will send replacement boards or drivers at no cost along with detailed replacement instructions and instructions on how to return defective components to Metalumen.