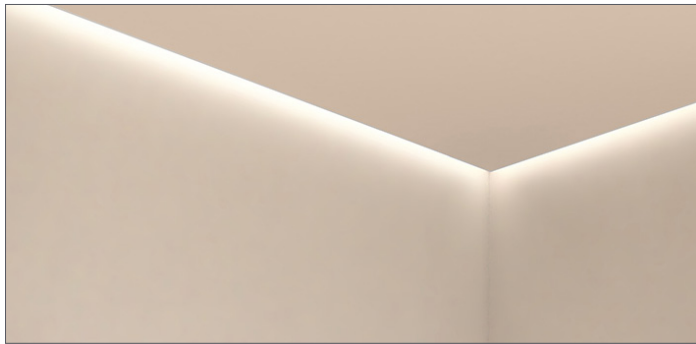


HEALUX 4 HC4WD

PERIMETER . DIRECT



- **Medical antimicrobial powder coat paint enhances infection control**
- Efficacy up to 121 LPW
- Recessed design reduces exposed surface area for efficient cleaning
- Wet location rated & IP54 protection for resistance against water, dust, and cleaning agents
- Standard 90 Color Rendering Index to meet Color Observation Index

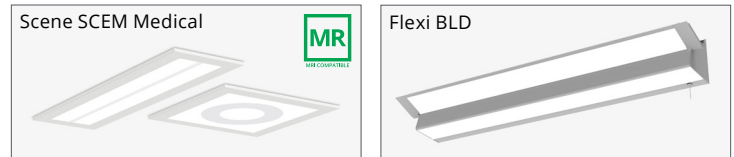


PART #:	
PREP BY:	DATE:
PROJECT:	QTY:
NOTES:	
APPROVAL SIGNATURE:	DATE (DD/MM/YYYY):

PERFORMANCE SUMMARY @ 3500K	Meta Blanc MB	Luma Span LS	Luma Asym. LA
Light Level	50	50	50
Lumens per foot	574	522	525
Wattage per foot	5.7	4.7	4.4
Efficacy	100	112	118
L70 Estimate (h)	≥ 60,000 hrs		

See complete Light Level Performance and Photometric Data on p2

OTHER MEDILUMEN PRODUCTS



ORDERING LOGIC

Example Part Number: HC4WD-35K-8-MB-AM-1001-PR-3-90

HC4WD										90	
1	2	3	4	5	6	7	8	9	10	11	
1. SERIES HC4WD Direct		2. COLOR TEMP 30K 3000K 35K 3500K 40K 4000K 90 CRI is standard		3. LENGTH 4 4 ft 5 5 ft 6 6 ft 7 7 ft 8 8 ft		4. OPTICS MB Meta Blanc IK10 LA Luma Asymmetric Select throw direction: <input type="checkbox"/> Away from wall <input type="checkbox"/> Towards the wall MB: Acrylic opal diffuse lens LA: Acrylic high output semi-diffuse lens See Photometric Data on p2		5. FINISH MW Medical White Powder Coat Finish AM Medical Antimicrobial White Powder Coat Finish Medical Custom Finish MC Specify RAL:			
6. LIGHT LEVEL / DRIVER 50 500 lm/f 100 1000 lm/f 75 750 lm/f C Custom Range. Specify lumens: (Total lumens between 500-1000 at 50 lm intervals) Select Driver below. See Light Level Performance chart on p2.		7. CIRCUITRY 1 1 Circuit EM Emergency / Night Light B Emergency Battery Pack* (remote mounted)		8. MOUNTING PR Perimeter Flanged Flush PR3 Perimeter Flanged Regressed 3"		9. VOLTAGE 3 347V 4 UNV (120 - 277V)		10. CONTROLS _ None (leave space empty)		11. OPTIONS _ None (leave space empty)	

*Consult factory. | *Pattern record drawings showing mounting locations will be sent out upon order.

Select Driver: Factory option 0-10V, 1% Dimming
 D2 DALI

LIGHT LEVEL PERFORMANCE & PHOTOMETRIC DATA

3500K, 90 CRI, 0-10V Dimming (Standard)

Light Level	Meta Blanc (MB)			Luma Asymmetric (LA)		
	Lumens per foot	Wattage per foot	Efficacy (LPW)	Lumens per foot	Wattage per foot	Efficacy (LPW)
50	574	5.7	100	525	4.4	118
75	790	8.1	97	772	6.4	121
100	1090	11.8	93	1016	8.8	116
Light Level 75	IES File	HC4WD-35K-4-MB-75		HC4WD-35K-4-LA-75		
	Distribution % (Down / Up)	100 / 0		100 / 0		
	Zonal Lumens (0-90 / 90-180)	3156 / 0		3088 / 0		
	Distribution Curve					

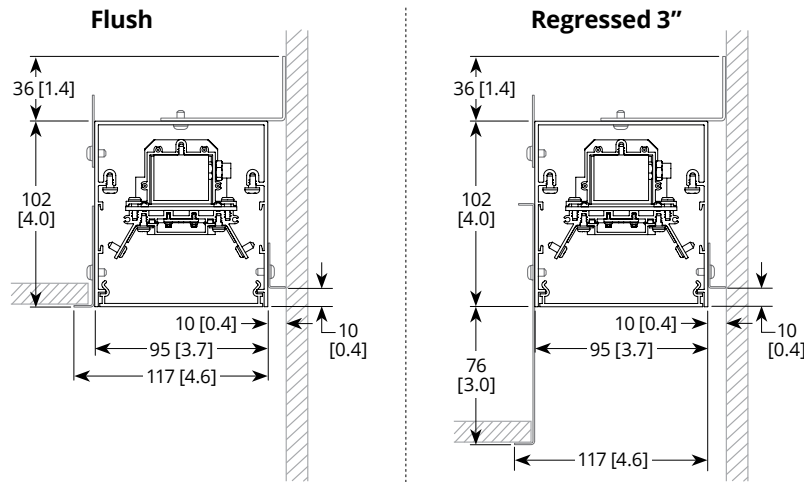
Photometric performance is measured and scaled in accordance with IESNA LM-79.

Lumen Adjustment Factor (Standard)

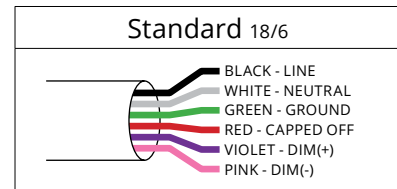
Color Temp	90 CRI
3000K	0.984
3500K	1.000
4000K	1.032

Metalumen's light level performance metrics are subject to manufacturers component tolerances.

CROSS SECTION



WIRING



CONTRACTOR NOTES

- Wall must be finished at least 6" above the ceiling height before flush fixture is mounted.
- Finish the ceiling by mudding over the metal flange.

SPECIFICATIONS

Due to the Continuous Improvement Policy at Metalumen, we reserve the right to change our specifications without notice.

Housing: Rigid extruded aluminum body, 2.0mm (0.08") nominal wall thickness. Aluminum formed end caps.
Optical System: Metalumen luminaires are designed to utilize leading edge LED technology combined with luminaire optimized reflectors and our custom diffusers, resulting in industry leading optical performance.
CRI: 90 for 3500k, 90 minimum for all

CCTs in standard configurations.
Lumen Maintenance: Minimum 50,000h with TM-21 lumen maintenance of 85% @ 25°C ambient temperature (calculated based on IESNA LM-80-08 LED test data). L70: ≥ 60 000hrs.
Finish: Standard medical grade powder coat finish in white and antimicrobial white. Exceeds 4000 salt spray hours (ASTM B117). For custom

medical finishes, contact factory.
Weight: 3 lb/ft
Mounting: Mounting brackets provided. Suitable for recessed ceilings and 9/16" and 15/16" T-Bars.
Drivers: Metalumen offers dimming* drivers as a standard on our entire LED product offering at 0-10V. Dimming range is 1%-100%. Power factor is > 90%. Class 2 rating. Drivers are integral.

Approvals: All components are UL/CSA/QPS recognized or listed. RoHS compliant. This product is cULus listed.
Environment: Suitable for wet locations -22°F / -30°C start ambient temperature.
**Standard drivers compatible with passive/sinking dimmers. Please contact Metalumen if active/sourcing dimmer support is required.*

WARRANTY

Metalumen will warrant defective luminaires for 5 years from date of purchase. Warranty is valid if luminaire is installed and used according to specification. If defective, Metalumen will send replacement boards or drivers at no cost along with detailed replacement instructions and instructions on how to return defective components to Metalumen.